

# Cleft



A sleek interpretation of slate, CLEFT Series features realistic textures and irregularities of this beautiful natural stone. Available in four colours and two finishes suitable for both wall and floor.

**PRODUCT TYPE:** Glazed, colour bodied porcelain

**COLOURS:** Tawn, Sky Gray, Midnight Ash and Hampshire

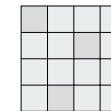
**SIZES:** 75x300mm, 300x600mm and 600x600mm  
Rectified Edges

**FINISHES/USAGE:** Natural and Grip/Wall and Floor

**AESTHETIC QUALITIES:** Natural Slate look

**TECHNICAL INFO:** P3 Pendulum slip rating (Natural)  
P5 Pendulum slip rating (Grip)  
More technical data on the last page

**VARIATION:**



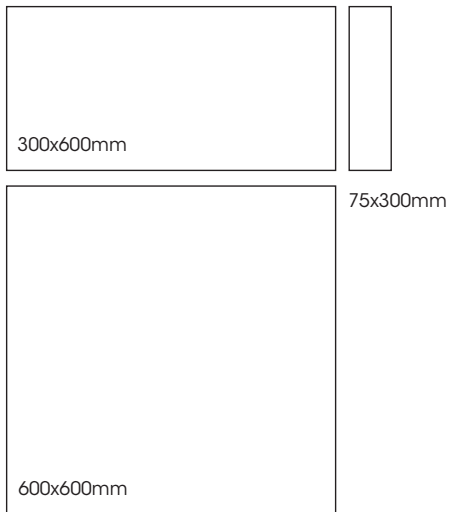
V3

# Cleft

## PRODUCT SPECIFICATIONS

SIZES	FINISHES	TILE EDGE	SLIP RATING
75x300mm	NATURAL	RECTIFIED	P3 Pendulum
300x600mm	NATURAL	RECTIFIED	P3 Pendulum
600x600mm	NATURAL	RECTIFIED	P3 Pendulum
300x600mm	GRIP	RECTIFIED	P5 Pendulum

## FORMATS



## TAWN



NATURAL



GRIP

## SKY GRAY



NATURAL



GRIP

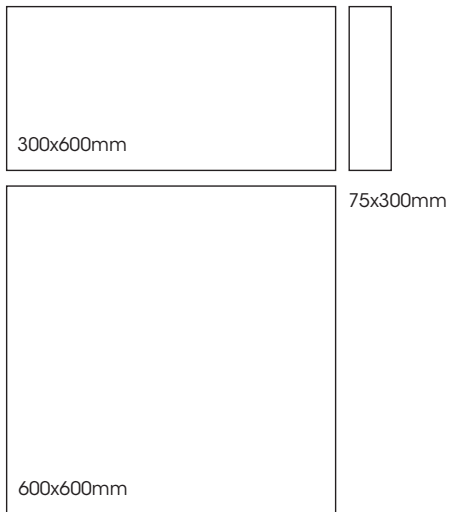
Variation is an inherent property of tiles and stone. Sizes are nominal and may include a joint.

# Cleft

## PRODUCT SPECIFICATIONS

SIZES	FINISHES	TILE EDGE	SLIP RATING
75x300mm	NATURAL	RECTIFIED	P3 Pendulum
300x600mm	NATURAL	RECTIFIED	P3 Pendulum
600x600mm	NATURAL	RECTIFIED	P3 Pendulum
300x600mm	GRIP	RECTIFIED	P5 Pendulum

## FORMATS



## MIDNIGHT ASH

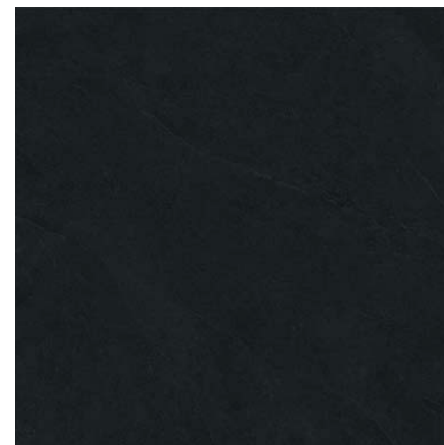


NATURAL

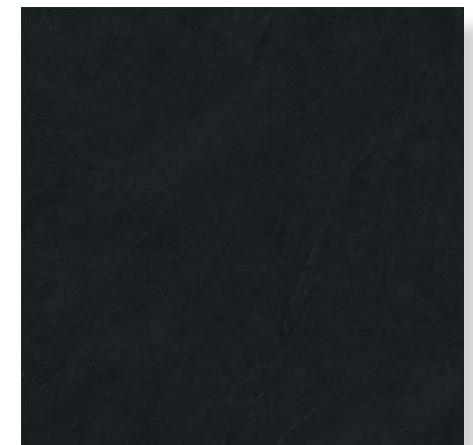


GRIP

## HAMPSHIRE



NATURAL



GRIP

Variation is an inherent property of tiles and stone. Sizes are nominal and may include a joint.









# Cleft





# Cleft



technical characteristics	test method	required values	result
 water absorption	ISO 10545-3	≤0.5%	≤0.5%
 modulus of rupture	ISO 10545-4	≥35	≥38
 surface quality	ISO 10545-2	Full compliance	complies
 breaking strength	ISO 10545-4	≥1100	3500
 crazing resistance	ISO 10545-11	Pass	Pass
 chemical resistance	ISO 10545-13	Declared value	ULA UHB
 resistance to frost	ISO 10545-12	resistant	resistant
 staining resistance	ISO 10545-14	Minimum Class 3	Class 5