

Gallerie



PRODUCT TYPE: Glazed Porcelain

COLOURS: White, Fawn, Stone and Bluestone

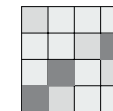
SIZES: 300x300mm, 300x600mm, 600x600mm and
450x900mm
Rectified Edges

FINISHES/USAGE: Matt, Semi-Polished and Grip/Floor

AESTHETIC QUALITIES: Marble, Stone vein look

TECHNICAL INFO: P3 Pendulum slip rating (Matt)
P4 Pendulum slip rating (Grip)
More technical data on the last page

VARIATION:



V3

GALLERIE resembles natural stone with characteristic white veining throughout. Four natural colour ways make this a versatile series.

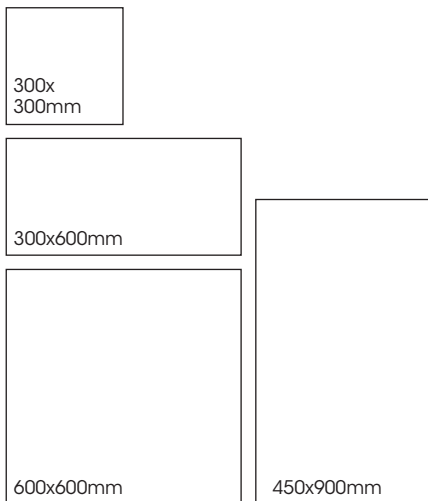
Gallerie

PRODUCT SPECIFICATIONS

SIZES	FINISHES	TILE EDGE	SLIP RATING
300x300mm	MATT	RECTIFIED	P3 Pendulum
300x600mm	MATT	RECTIFIED	P3 Pendulum
600x600mm	MATT	RECTIFIED	P3 Pendulum
450x900mm*	MATT	RECTIFIED	P3 Pendulum
300x600mm	SEMI-POLISH	RECTIFIED	-
600x600mm	SEMI-POLISH	RECTIFIED	-
300x600mm	GRIP	RECTIFIED	P4 Pendulum

* Indent item - Subject to stock availability overseas, please allow 10-12 weeks lead time from date of order confirmation. Minimum quantity may apply.

FORMATS



WHITE



MATT



SEMI-POLISH



GRIP

FAWN



MATT



SEMI-POLISH



GRIP

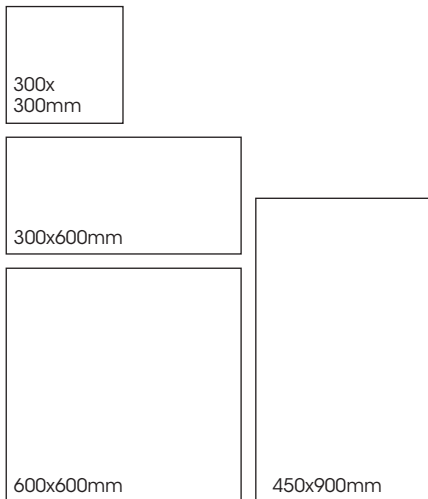
Variation is an inherent property of tiles and stone. Sizes are nominal and may include a joint.

Gallerie

PRODUCT SPECIFICATIONS

SIZES	FINISHES	TILE EDGE	SLIP RATING
300x300mm	MATT	RECTIFIED	P3 Pendulum
300x600mm	MATT	RECTIFIED	P3 Pendulum
600x600mm	MATT	RECTIFIED	P3 Pendulum
450x900mm	MATT	RECTIFIED	P3 Pendulum
300x600mm	SEMI-POLISH	RECTIFIED	-
600x600mm	SEMI-POLISH	RECTIFIED	-
300x600mm	GRIP	RECTIFIED	P4 Pendulum

FORMATS



STONE



MATT



SEMI-POLISH



GRIP

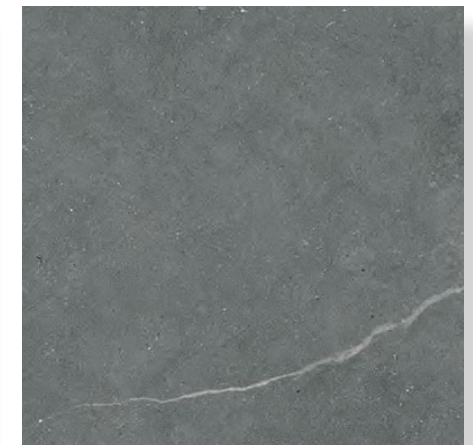
BLUESTONE



MATT



SEMI-POLISH



GRIP

Variation is an inherent property of tiles and stone. Sizes are nominal and may include a joint.

Gallerie



Gallerie



Gallerie



TECHNICAL DATA

technical characteristics	test method	required values	value
water absorption	iso 10545-3	0,5% < E ≤ 3%	-
breaking strength (S)	iso 10545-4	≥ 1300 N	pass
thermal shock resistance	iso 10545-9	no visible defects	pass
chemical resistance	iso 10545-13	Class A	pass
length and width of the average sizes	iso 10545-2	± 0,5%	pass
thickness	iso 10545-2	± 0,5%	pass
straightness of sides	iso 10545-2	± 0,5% and ±1.5mm	pass
surface quality	iso 10545-2	minimum of 95% of tiles free from visible defects	pass