

Aggregate



PRODUCT TYPE: Glazed, colour bodied porcelain

COLOURS: Off White, Grey, Greige, Buff and Charcoal

SIZES: Varies per colour
Rectified Edges

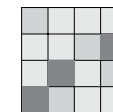
FINISHES/USAGE: Matt and Semi-Polished/Wall and Floor

AESTHETIC QUALITIES: Concrete look with 30-40% exposed aggregate.

TECHINICAL INFO: P3 Pendulum Slip rating (Matt)
More technical data on the last page.

ORIGIN: Italy

VARIATION:



V3

With the impact of concrete and all the benefits of porcelain, our AGGREGATE series is the best looking exposed aggregate tile on the market. The series contains an adaptable neutral colour palette with easy maintenance finishes and large formats suitable for new or existing projects.

Aggregate

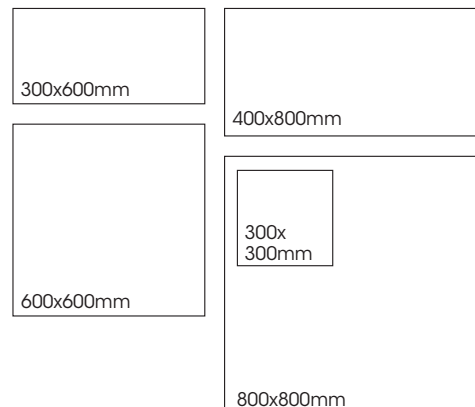
GREY

PRODUCT SPECIFICATIONS

SIZES	FINISHES	SLIP RATINGS	TILE EDGE
300x300mm	MATT	P3 Pendulum	RECTIFIED
300x600mm*	MATT	P3 Pendulum	RECTIFIED
400x800mm	MATT	P3 Pendulum	RECTIFIED
600x600mm	MATT	P3 Pendulum	RECTIFIED
800x800mm	MATT	P3 Pendulum	RECTIFIED
300x600mm*	SEMI-POLISH	-	RECTIFIED
400x800mm	SEMI-POLISH	-	RECTIFIED
600x600mm	SEMI-POLISH	-	RECTIFIED
800x800mm	SEMI-POLISH	-	RECTIFIED

* Indent item - Subject to stock availability overseas, please allow 10-12 weeks lead time from date of order confirmation. Minimum quantity may apply.

FORMATS



MATT



SEMI-POLISHED



Variation is an inherent property of tiles and stone. Sizes are nominal and may include a joint.

Aggregate

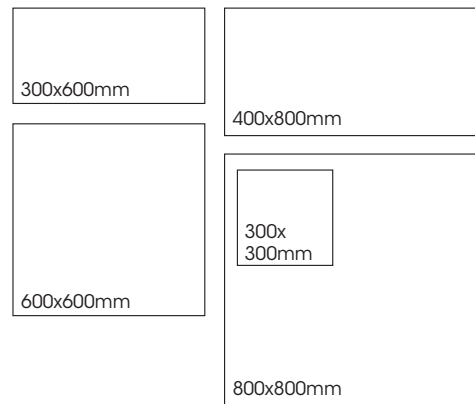
OFF-WHITE

PRODUCT SPECIFICATIONS

SIZES	FINISHES	SLIP RATINGS	TILE EDGE
300x300mm	MATT	P3 Pendulum	RECTIFIED
300x600mm*	MATT	P3 Pendulum	RECTIFIED
400x800mm*	MATT	P3 Pendulum	RECTIFIED
600x600mm	MATT	P3 Pendulum	RECTIFIED
800x800mm*	MATT	P3 Pendulum	RECTIFIED
300x600mm*	SEMI-POLISH	-	RECTIFIED
400x800mm*	SEMI-POLISH	-	RECTIFIED
600x600mm	SEMI-POLISH	-	RECTIFIED
800x800mm*	SEMI-POLISH	-	RECTIFIED
600x600mm*	DECOR	-	RECTIFIED

* Indent item - Subject to stock availability overseas, please allow 10-12 weeks lead time from date of order confirmation. Minimum quantity may apply.

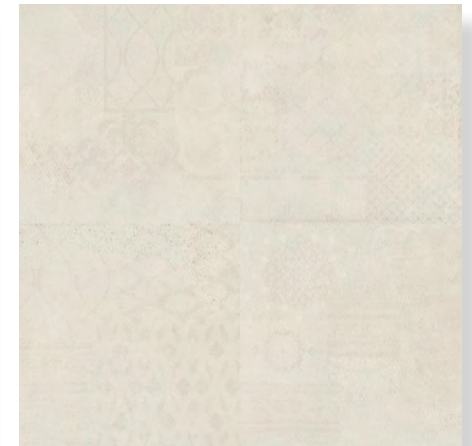
FORMATS



MATT



SEMI-POLISHED



DECOR MATT



Variation is an inherent property of tiles and stone. Sizes are nominal and may include a joint.

Aggregate

GREIGE

PRODUCT SPECIFICATIONS

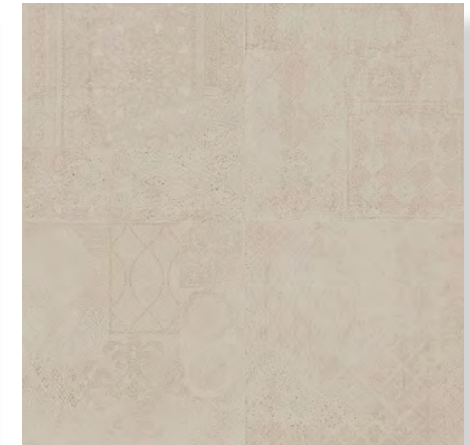
SIZES	FINISHES	SLIP RATINGS	TILE EDGE
300x300mm	MATT	P3 Pendulum	RECTIFIED
300x600mm*	MATT	P3 Pendulum	RECTIFIED
400x800mm*	MATT	P3 Pendulum	RECTIFIED
600x600mm	MATT	P3 Pendulum	RECTIFIED
300x600mm*	SEMI-POLISH	-	RECTIFIED
400x800mm*	SEMI-POLISH	-	RECTIFIED
600x600mm	SEMI-POLISH	-	RECTIFIED
600x600mm*	DECOR	-	RECTIFIED



MATT



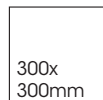
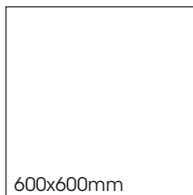
SEMI-POLISHED



DECOR MATT

* Indent item - Subject to stock availability overseas, please allow 10-12 weeks lead time from date of order confirmation. Minimum quantity may apply.

FORMATS



Variation is an inherent property of tiles and stone. Sizes are nominal and may include a joint.

Aggregate

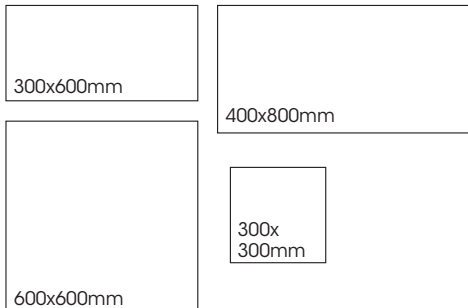
BUFF

PRODUCT SPECIFICATIONS

SIZES	FINISHES	SLIP RATINGS	TILE EDGE
300x300mm	MATT	P3 Pendulum	RECTIFIED
300x600mm*	MATT	P3 Pendulum	RECTIFIED
400x800mm*	MATT	P3 Pendulum	RECTIFIED
600x600mm	MATT	P3 Pendulum	RECTIFIED
300x600mm*	SEMI-POLISH	-	RECTIFIED
400x800mm*	SEMI-POLISH	-	RECTIFIED
600x600mm	SEMI-POLISH	-	RECTIFIED

* Indent item - Subject to stock availability overseas, please allow 10-12 weeks lead time from date of order confirmation. Minimum quantity may apply.

FORMATS



MATT

SEMI-POLISHED



Variation is an inherent property of tiles and stone. Sizes are nominal and may include a joint.

Aggregate

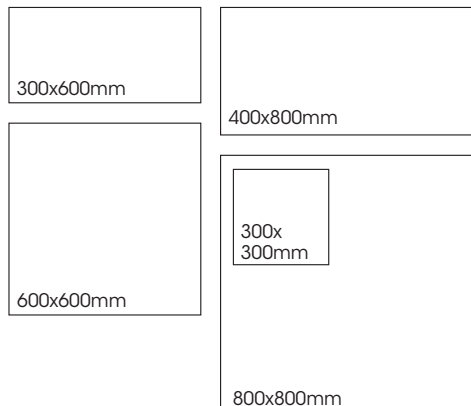
CHARCOAL

PRODUCT SPECIFICATIONS

SIZES	FINISHES	SLIP RATINGS	TILE EDGE
300x300mm	MATT	P3 Pendulum	RECTIFIED
300x600mm*	MATT	P3 Pendulum	RECTIFIED
400x800mm*	MATT	P3 Pendulum	RECTIFIED
600x600mm	MATT	P3 Pendulum	RECTIFIED
800x800mm*	MATT	P3 Pendulum	RECTIFIED
300x600mm*	SEMI-POLISH	-	RECTIFIED
400x800mm*	SEMI-POLISH	-	RECTIFIED
600x600mm	SEMI-POLISH	-	RECTIFIED
800x800mm*	SEMI-POLISH	-	RECTIFIED

* Indent item - Subject to stock availability overseas, please allow 10-12 weeks lead time from date of order confirmation. Minimum quantity may apply.

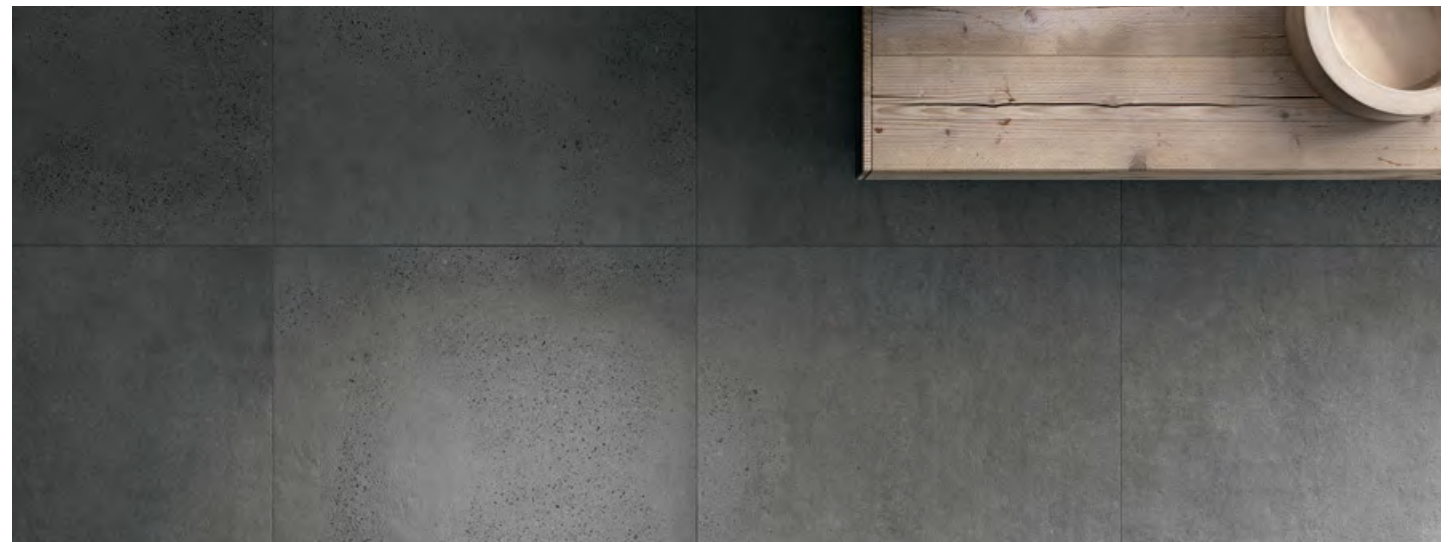
FORMATS



MATT



SEMI-POLISHED



Variation is an inherent property of tiles and stone. Sizes are nominal and may include a joint.

Aggregate



Aggregate



Aggregate



Aggregate

TECHNICAL DATA

technical characteristics	test method	required values	value
water absorption	iso 10545-3	0,5% < E ≤ 3%	0,5% < E ≤ 2%
bending strength	iso 10545-4	≥ 27 N/mm ²	≥ 32 N/mm ^{2**}
breaking strength (S)	iso 10545-4	≥ 1300 N	compliant
thermal shock resistance	iso 10545-9r	resistant	esistant
chemical resistance	iso 10545-13	-	resistant
length and width of the average sizes	iso 10545-2	± 0,5%	compliant
thickness	iso 10545-2	± 0,5%	compliant
warpages of edges	iso 10545-2	± 0,5%	compliant
wedging	iso 10545-2	± 0,6%	compliant
flatness	iso 10545-2	± 0,5%	compliant