

Avenue



PRODUCT TYPE: Glazed Porcelain

COLOURS: White, Mist, Fawn and Stone

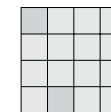
SIZES: 300x300mm, 300x600mm, 600x600mm and
200x200mm, 450x900mm*
Rectified Edges

FINISHES/USAGE: Matt, Grip & Matt Pattern/Wall and Floor

AESTHETIC QUALITIES: Limestone look

TECHNICAL INFO: Matt - P2 Pendulum Slip rating
Grip - P5 Pendulum Slip rating
Pattern - P2 Pendulum Slip rating
More information on last page

VARIATION:



V2

AVENUE is a hybrid of stone and limestone look tiles. With subtle movement and colour variation, each of the four colours also has a set of décor tiles with each box consisting of 18 mixed 200x200mm (16 patterns, 2 plain) which can be applied for internal wall & floors.

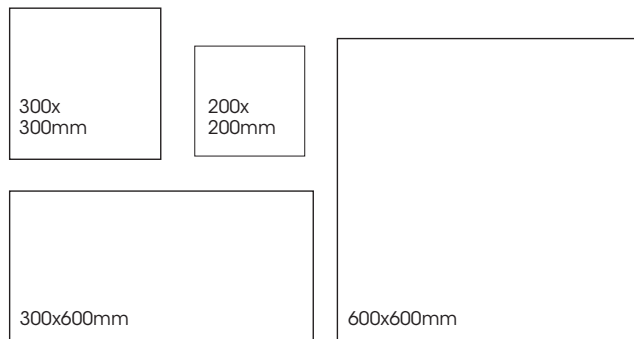
Avenue

PRODUCT SPECIFICATIONS

SIZES	FINISHES	TILE EDGE	SLIP RATING
300x300mm	MATT	RECTIFIED	P2 Pendulum
300x600mm	MATT	RECTIFIED	P2 Pendulum
600x600mm	MATT	RECTIFIED	P2 Pendulum
300x600mm	GRIP	RECTIFIED	P5 Pendulum
200x200mm	PATTERN	RECTIFIED	P2 Pendulum
450x900mm*	MATT	RECTIFIED	P2 Pendulum

* Indent item - Subject to stock availability overseas, please allow 10-12 weeks lead time from date of order confirmation. Minimum quantity may apply.

FORMATS



WHITE



MATT



GRIP

FAWN



MATT



GRIP

Variation is an inherent property of tiles and stone. Sizes are nominal and may include a joint.

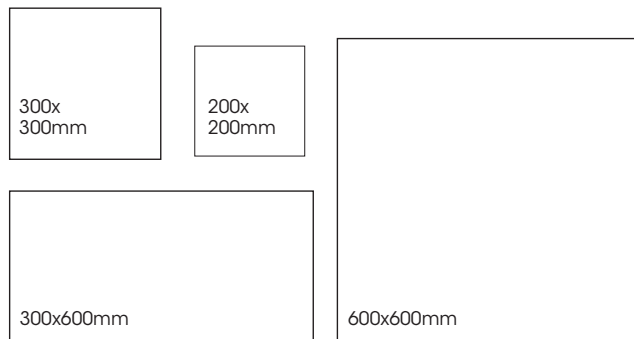
Avenue

PRODUCT SPECIFICATIONS

SIZES	FINISHES	TILE EDGE	SLIP RATING
300x300mm	MATT	RECTIFIED	P2 Pendulum
300x600mm	MATT	RECTIFIED	P2 Pendulum
600x600mm	MATT	RECTIFIED	P2 Pendulum
300x600mm	GRIP	RECTIFIED	P5 Pendulum
200x200mm	PATTERN	RECTIFIED	P2 Pendulum
450x900mm*	MATT	RECTIFIED	P2 Pendulum

* Indent item - Subject to stock availability overseas, please allow 10-12 weeks lead time from date of order confirmation. Minimum quantity may apply.

FORMATS



MIST



MATT



GRIP

STONE



MATT



GRIP

Variation is an inherent property of tiles and stone. Sizes are nominal and may include a joint.

Avenue

FULL DECOR SET



AVAILABLE IN ALL COLOURS
Each box consists of 18 200x200mm
(16 different patterns, 2 plain)

Avenue



TECHNICAL DATA

technical characteristics	test method	required values	value
water absorption	iso 10545-3	$0,5\% < E \leq 3\%$	-
breaking strength (S)	iso 10545-4	$\geq 1300 \text{ N}$	pass
thermal shock resistance	iso 10545-9	no visible defects	pass
chemical resistance	iso 10545-13	Class A	pass
length and width of the average sizes	iso 10545-2	$\pm 0,5\%$	pass
thickness	iso 10545-2	$\pm 0,5\%$	pass
straightness of sides	iso 10545-2	$\pm 0,5\%$ and $\pm 1.5\text{mm}$	pass
surface quality	iso 10545-2	minimum of 95% of tiles free from visible defects	pass