

# Grande Max



Made in Italy, GRANDE MAX features the classical elegance of numerous types of marble, stone, metal and concrete translated into stoneware with satin and polished surfaces. GRANDE MAX is available in 6mm and 12mm thickness. The 6mm is ideal for both horizontal and vertical flat surfaces including facades for both indoor and outdoor and the 12mm ideal for bench tops, cladding and furniture.

**PRODUCT TYPE:** 6mm and 12mm coloured body porcelain

**MARBLE LIGHT:** Golden White, Calacatta Extra, Statuario Altissimo and Capraia

**MARBLE DARK:** Elegant Black, Imperiale, Pulpis and St Laurent

**STONE:** Brera Grey, Ceppo Di Gre and Basaltina

**CONCRETE:** Concrete Smoke and Concrete White

**SOLID:** Solid White and Solid Black,

**METAL:** Metal Iron Dark and Metal Iron Light

**SIZES:** 1200x1200x6mm, 1200x2400x6mm  
1600x3200x6mm and 1620x3240x12mm  
Rectified

**FINISHES/USAGE:** Satin, Polish, Matt, Extra Polish and Extra Satin/Wall and Floor

**AESTHETIC QUALITIES:** Stone and Marble look porcelain slabs

**ORIGIN:** Italy

**TECHNICAL DATA:** See last page

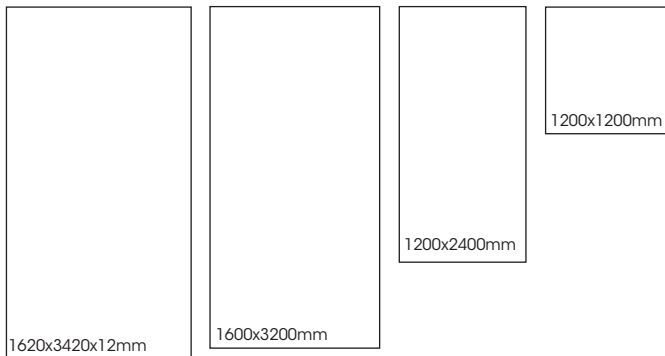
# Grande Max

## PRODUCT SPECIFICATIONS

| SIZES           | FINISHES | TILE EDGE |
|-----------------|----------|-----------|
| 1200x1200x6mm*  | SATIN    | RECTIFIED |
| 1200x2400x6mm*  | SATIN    | RECTIFIED |
| 1600x3200x6mm   | SATIN    | RECTIFIED |
| 1200x1200x6mm*  | POLISH   | RECTIFIED |
| 1200x2400x6mm*  | POLISH   | RECTIFIED |
| 1600x3200x6mm   | POLISH   | RECTIFIED |
| 1620x3240x12mm  | SATIN    | -         |
| 1620x3240x12mm* | POLISH   | -         |

\* Indent item - Subject to stock availability overseas, please allow 10-12 weeks lead time from date of order confirmation. Minimum quantity may apply.

## FORMATS



GOLDEN WHITE



# Grande Max

## GOLDEN WHITE SLAB VARIATION

1620x3420x12mm



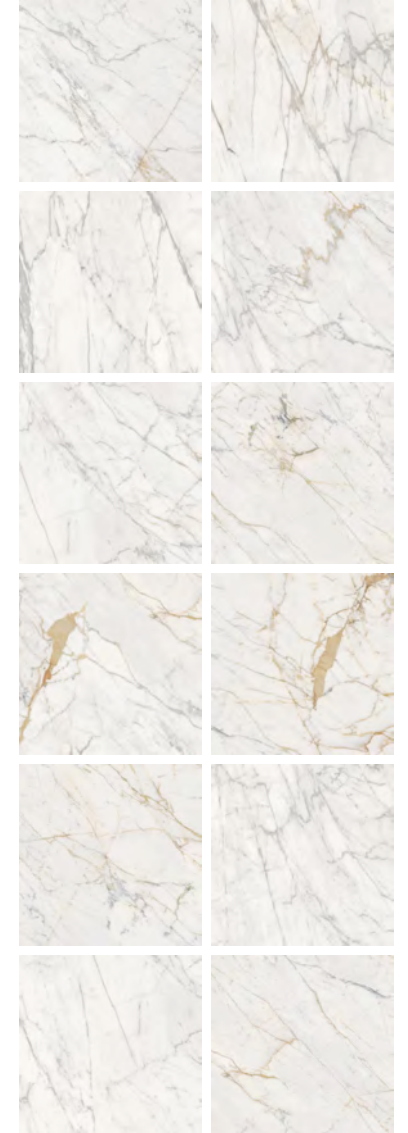
1600x3200x6mm



1200x2400x6mm



1200x1200x6mm



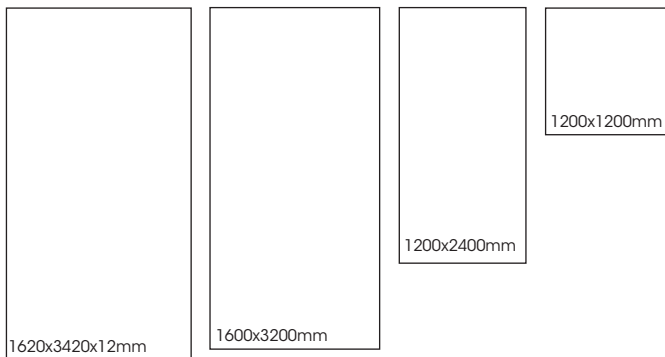
# Grande Max

## PRODUCT SPECIFICATIONS

| SIZES          | FINISHES     | TILE EDGE |
|----------------|--------------|-----------|
| 1200x1200x6mm* | SATIN        | RECTIFIED |
| 1200x2400x6mm* | SATIN        | RECTIFIED |
| 1600x3200x6mm  | SATIN        | RECTIFIED |
| 1200x1200x6mm* | POLISH       | RECTIFIED |
| 1200x2400x6mm* | POLISH       | RECTIFIED |
| 1600x3200x6mm* | POLISH       | RECTIFIED |
| 1620x3240x12mm | EXTRA SATIN  | -         |
| 1620x3240x12mm | EXTRA POLISH | -         |

\* Indent item - Subject to stock availability overseas, please allow 10-12 weeks lead time from date of order confirmation. Minimum quantity may apply.

## FORMATS



CALACATTA EXTRA



# Grande Max

## CALACATTA EXTRA SLAB VARIATION

1620x3420x12mm



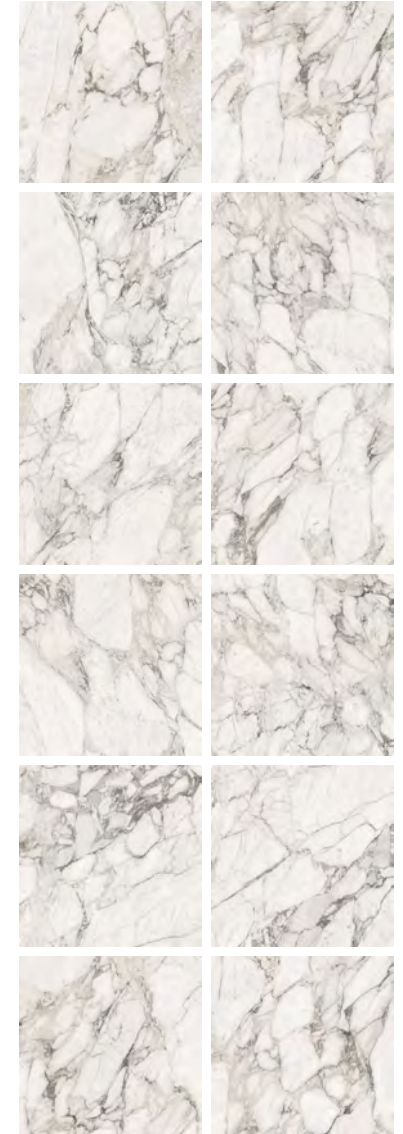
1600x3200x6mm



1200x2400x6mm



1200x1200x6mm



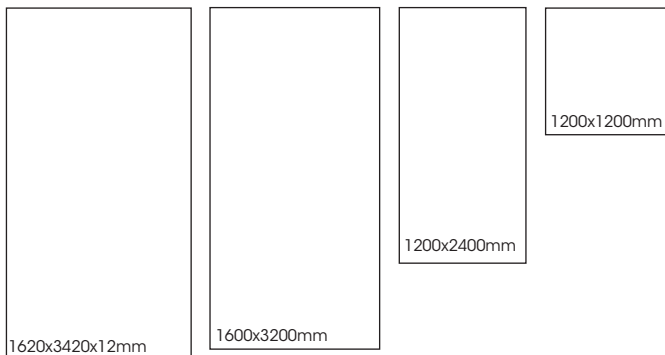
# Grande Max

## PRODUCT SPECIFICATIONS

| SIZES          | FINISHES | TILE EDGE |
|----------------|----------|-----------|
| 1200x1200x6mm* | SATIN    | RECTIFIED |
| 1200x2400x6mm* | SATIN    | RECTIFIED |
| 1600x3200x6mm  | SATIN    | RECTIFIED |
| 1200x1200x6mm* | POLISH   | RECTIFIED |
| 1200x2400x6mm* | POLISH   | RECTIFIED |
| 1600x3200x6mm  | POLISH   | RECTIFIED |
| 1620x3240x12mm | SATIN    | -         |
| 1620x3240x12mm | POLISH   | -         |

\* Indent item - Subject to stock availability overseas, please allow 10-12 weeks lead time from date of order confirmation. Minimum quantity may apply.

## FORMATS



STATUARIO

# Grande Max

## STATUARIO SLAB VARIATION

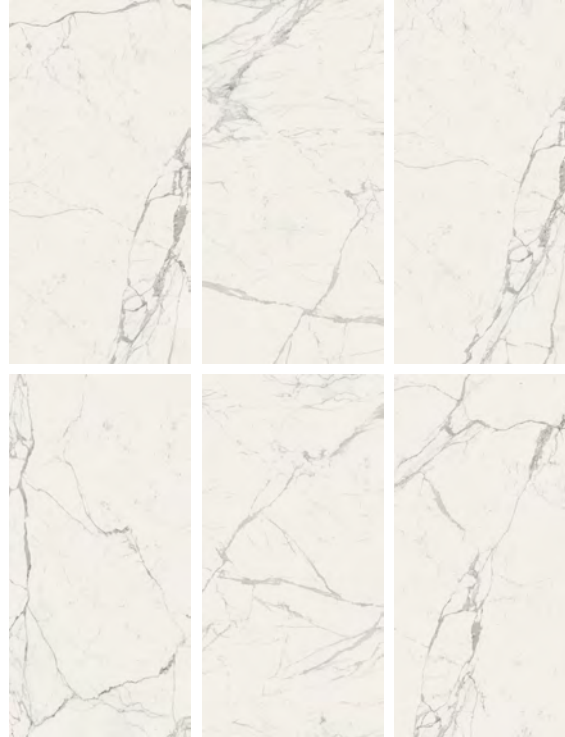
1620x3420x12mm



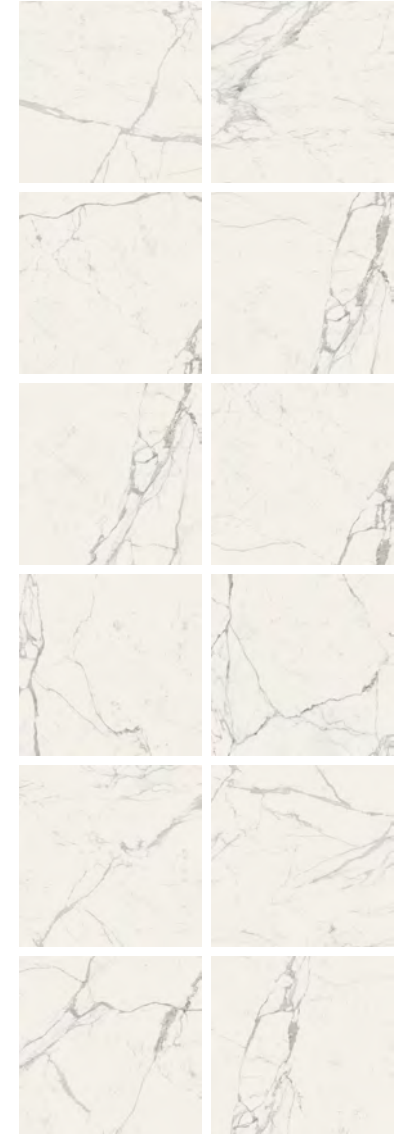
1600x3200x6mm



1200x2400x6mm



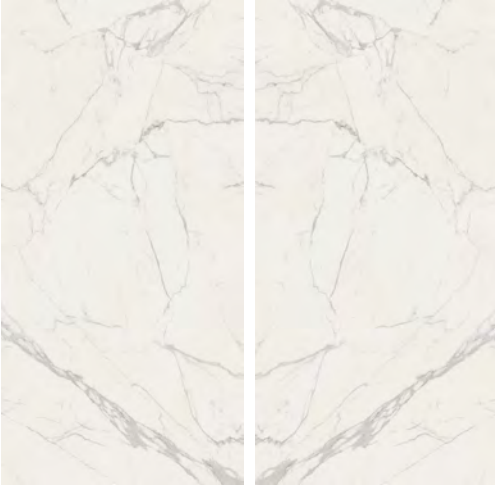
1200x1200x6mm



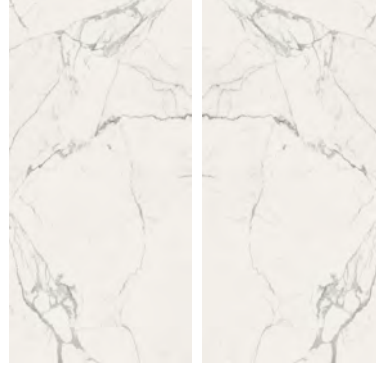
# Grande Max

## STATUARIO BOOKMATCH SLAB VARIATION

1600x3200x6mm



1200x2400x6mm





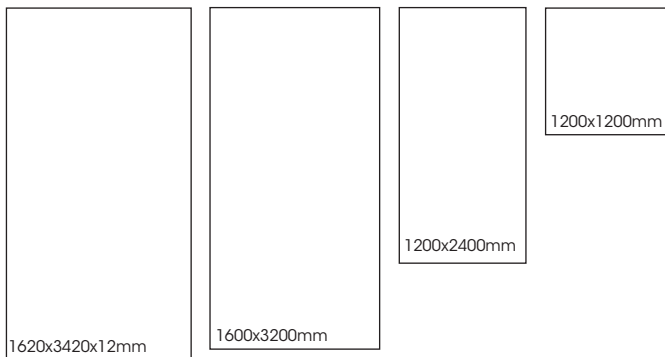
# Grande Max

## PRODUCT SPECIFICATIONS

| SIZES          | FINISHES | TILE EDGE |
|----------------|----------|-----------|
| 1200x1200x6mm* | SATIN    | RECTIFIED |
| 1200x2400x6mm* | SATIN    | RECTIFIED |
| 1600x3200x6mm  | SATIN    | RECTIFIED |
| 1200x1200x6mm* | POLISH   | RECTIFIED |
| 1200x2400x6mm* | POLISH   | RECTIFIED |
| 1600x3200x6mm  | POLISH   | RECTIFIED |
| 1620x3240x12mm | SATIN    | -         |
| 1620x3240x12mm | POLISH   | -         |

\* Indent item - Subject to stock availability overseas, please allow 10-12 weeks lead time from date of order confirmation. Minimum quantity may apply.

## FORMATS



ALTISSIMO

# Grande Max

## ALTISSIMO SLAB VARIATION

1620x3420x12mm



1600x3200x6mm



1200x2400x6mm



1200x1200x6mm



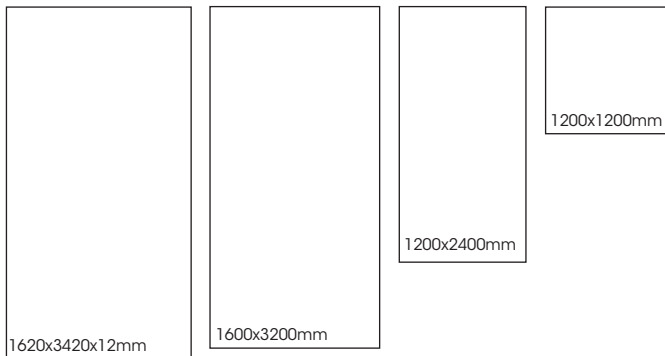
# Grande Max

## PRODUCT SPECIFICATIONS

| SIZES          | FINISHES | TILE EDGE |
|----------------|----------|-----------|
| 1200x1200x6mm* | SATIN    | RECTIFIED |
| 1200x2400x6mm* | SATIN    | RECTIFIED |
| 1200x1200x6mm* | POLISH   | RECTIFIED |
| 1200x2400x6mm* | POLISH   | RECTIFIED |
| 1600x3200x6mm* | POLISH   | RECTIFIED |
| 1620x3240x12mm | POLISH   | -         |

\* Indent item - Subject to stock availability overseas, please allow 10-12 weeks lead time from date of order confirmation. Minimum quantity may apply.

## FORMATS



CAPRAIA



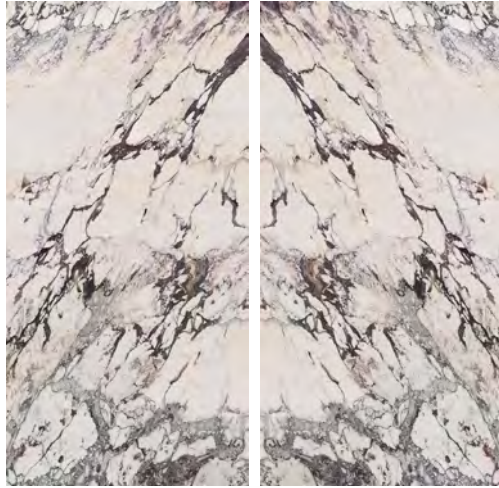
# Grande Max

## CAPRAIA SLAB VARIATION

1620x3420x12mm



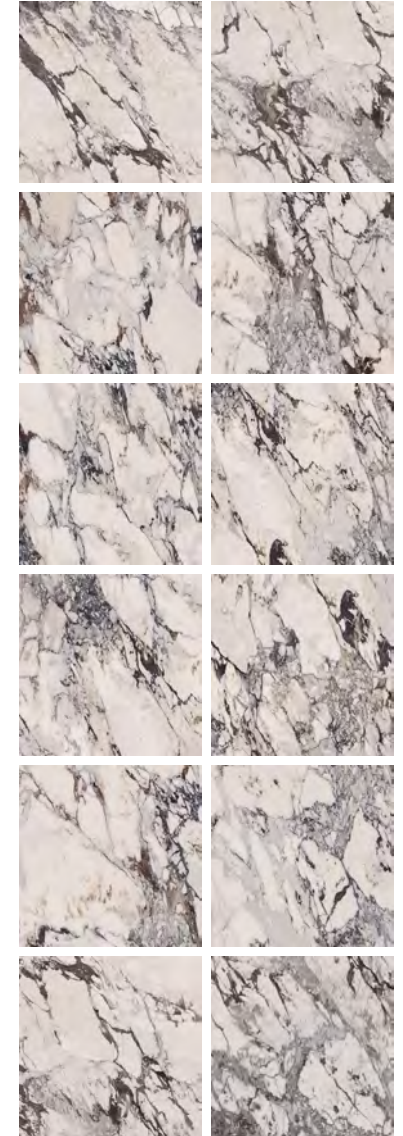
1600x3200x6mm



1200x2400x6mm



1200x1200x6mm



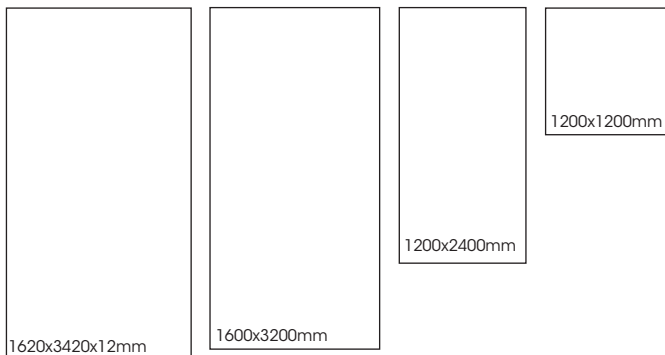
# Grande Max

## PRODUCT SPECIFICATIONS

| SIZES           | FINISHES | TILE EDGE |
|-----------------|----------|-----------|
| 1200x1200x6mm*  | SATIN    | RECTIFIED |
| 1200x2400x6mm*  | SATIN    | RECTIFIED |
| 1600x3200x6mm   | SATIN    | RECTIFIED |
| 1200x1200x6mm*  | POLISH   | RECTIFIED |
| 1200x2400x6mm*  | POLISH   | RECTIFIED |
| 1600x3200x6mm   | POLISH   | RECTIFIED |
| 1620x3240x12mm  | SATIN    | -         |
| 1620x3240x12mm* | POLISH   | -         |

\* Indent item - Subject to stock availability overseas, please allow 10-12 weeks lead time from date of order confirmation. Minimum quantity may apply.

## FORMATS



ELEGANT BLACK



# Grande Max

## ELEGANT BLACK SLAB VARIATION

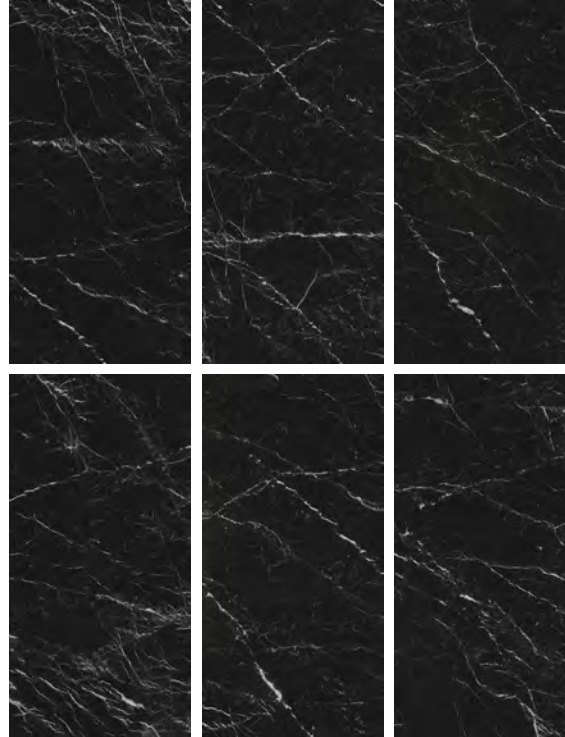
1620x3420x12mm



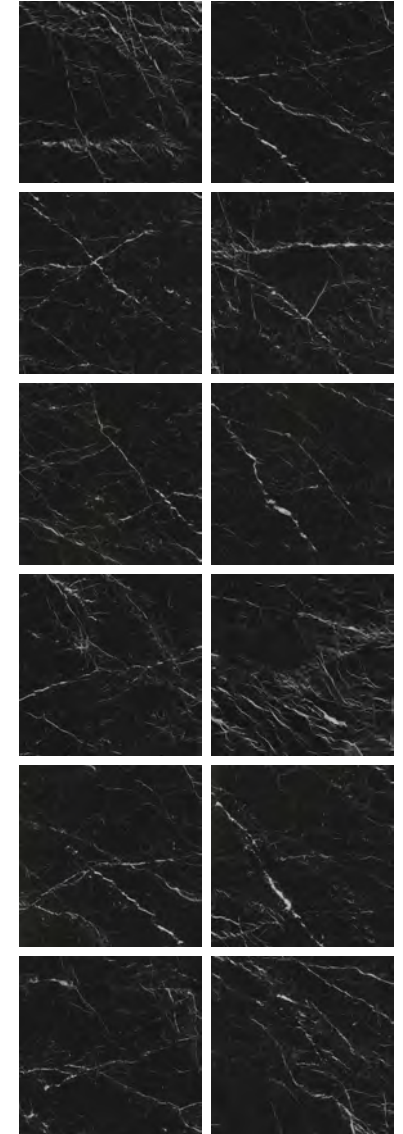
1600x3200x6mm



1200x2400x6mm



1200x1200x6mm





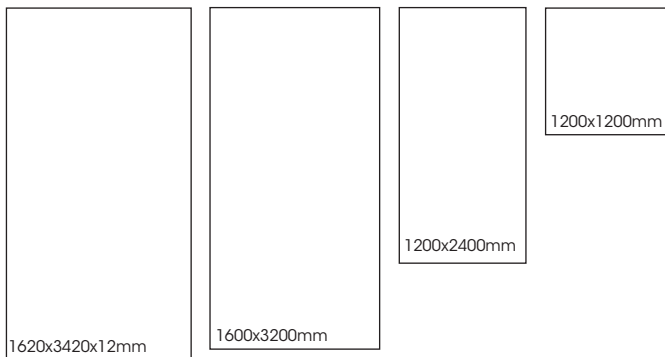
# Grande Max

## PRODUCT SPECIFICATIONS

| SIZES           | FINISHES | TILE EDGE |
|-----------------|----------|-----------|
| 1200x1200x6mm*  | SATIN    | RECTIFIED |
| 1200x2400x6mm*  | SATIN    | RECTIFIED |
| 1200x1200x6mm*  | POLISH   | RECTIFIED |
| 1200x2400x6mm*  | POLISH   | RECTIFIED |
| 1600x3200x6mm*  | POLISH   | RECTIFIED |
| 1620x3240x12mm  | SATIN    | -         |
| 1620x3240x12mm* | POLISH   | -         |

\* Indent item - Subject to stock availability overseas, please allow 10-12 weeks lead time from date of order confirmation. Minimum quantity may apply.

## FORMATS



IMPERIALE

# Grande Max

## IMPERIALE SLAB VARIATION

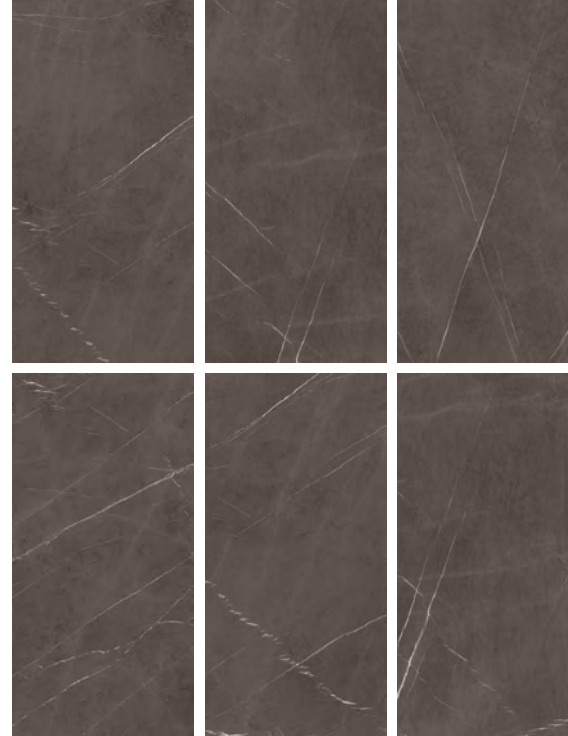
1620x3420x12mm



1600x3200x6mm



1200x2400x6mm



1200x1200x6mm



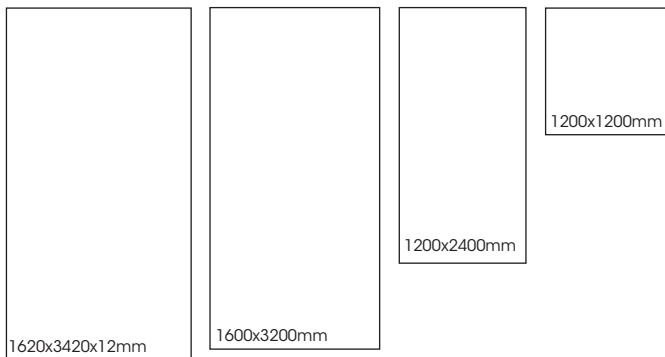
# Grande Max

## PRODUCT SPECIFICATIONS

| SIZES           | FINISHES | TILE EDGE |
|-----------------|----------|-----------|
| 1200x1200x6mm*  | SATIN    | RECTIFIED |
| 1200x2400x6mm*  | SATIN    | RECTIFIED |
| 1200x1200x6mm*  | POLISH   | RECTIFIED |
| 1200x2400x6mm*  | POLISH   | RECTIFIED |
| 1600x3200x6mm*  | POLISH   | RECTIFIED |
| 1620x3240x12mm* | SATIN    | -         |
| 1620x3240x12mm* | POLISH   | -         |

\* Indent item - Subject to stock availability overseas, please allow 10-12 weeks lead time from date of order confirmation. Minimum quantity may apply.

## FORMATS



PULPIS



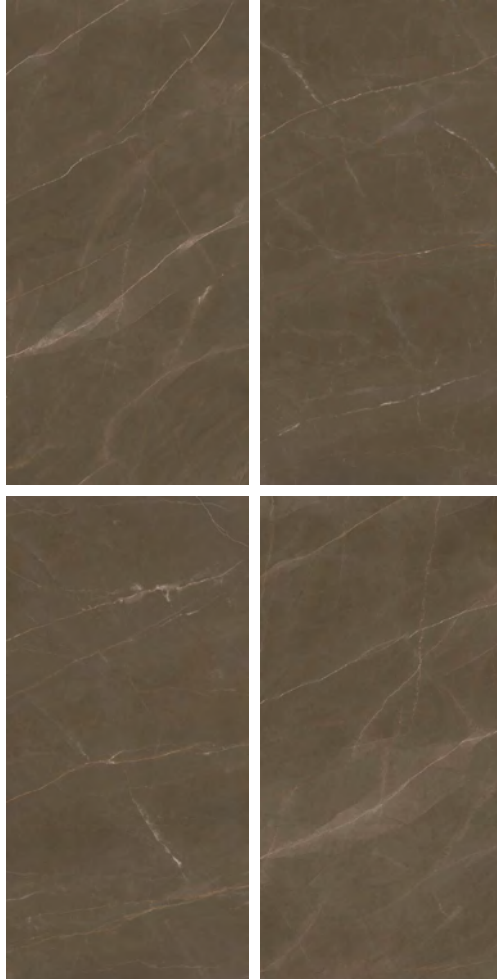
# Grande Max

## PULPIS SLAB VARIATION

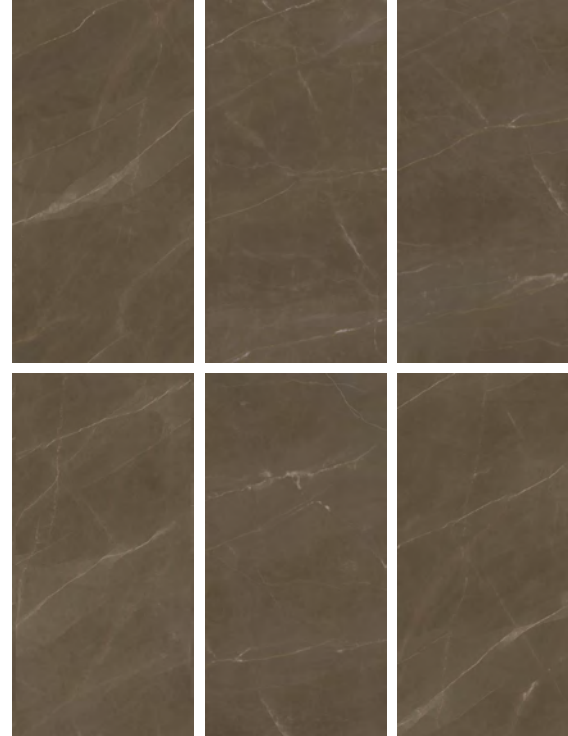
1620x3420x12mm



1600x3200x6mm



1200x2400x6mm



1200x1200x6mm



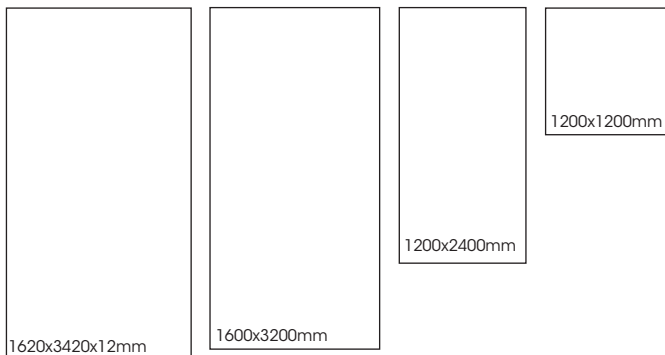
# Grande Max

## PRODUCT SPECIFICATIONS

| SIZES           | FINISHES | TILE EDGE |
|-----------------|----------|-----------|
| 1200x1200x6mm*  | SATIN    | RECTIFIED |
| 1200x2400x6mm*  | SATIN    | RECTIFIED |
| 1600x3200x6mm*  | SATIN    | RECTIFIED |
| 1200x1200x6mm*  | POLISH   | RECTIFIED |
| 1200x2400x6mm*  | POLISH   | RECTIFIED |
| 1600x3200x6mm*  | POLISH   | RECTIFIED |
| 1620x3240x12mm* | SATIN    | -         |
| 1620x3240x12mm* | POLISH   | -         |

\* Indent item - Subject to stock availability overseas, please allow 10-12 weeks lead time from date of order confirmation. Minimum quantity may apply.

## FORMATS



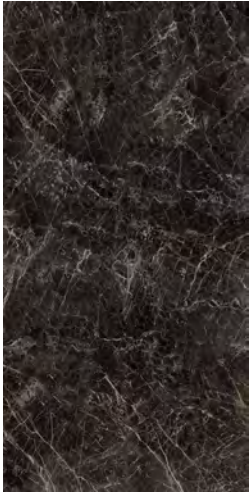
ST LAURENT



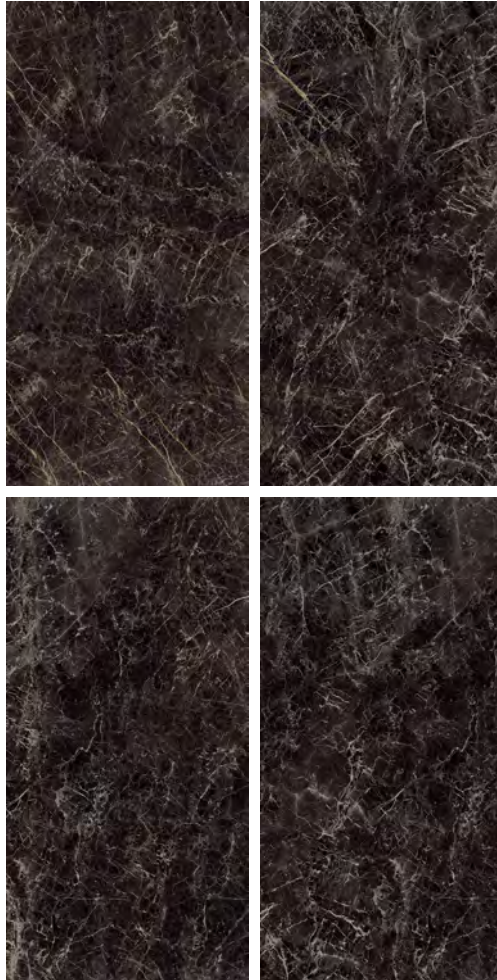
# Grande Max

## ST LAURENT SLAB VARIATION

1620x3420x12mm



1600x3200x6mm



1200x2400x6mm



1200x1200x6mm





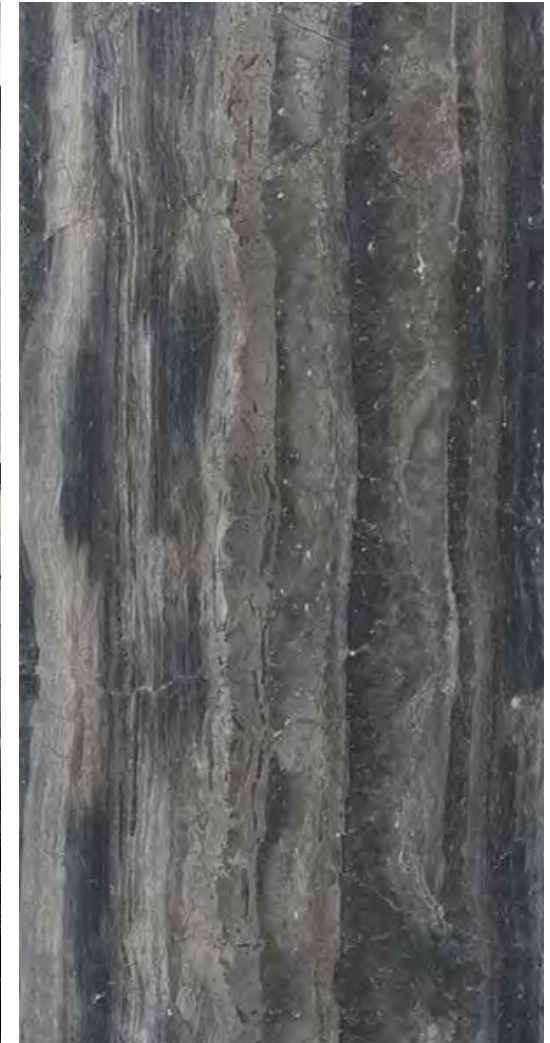
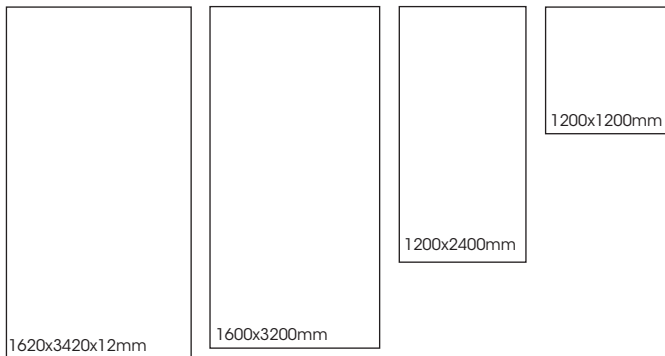
# Grande Max

## PRODUCT SPECIFICATIONS

| SIZES           | FINISHES | TILE EDGE |
|-----------------|----------|-----------|
| 1200x1200x6mm*  | SATIN    | RECTIFIED |
| 1200x2400x6mm*  | SATIN    | RECTIFIED |
| 1600x3200x6mm   | SATIN    | RECTIFIED |
| 1200x1200x6mm*  | POLISH   | RECTIFIED |
| 1200x2400x6mm*  | POLISH   | RECTIFIED |
| 1600x3200x6mm*  | POLISH   | RECTIFIED |
| 1620x3240x12mm* | SATIN    | -         |
| 1620x3240x12mm* | POLISH   | -         |

\* Indent item - Subject to stock availability overseas, please allow 10-12 weeks lead time from date of order confirmation. Minimum quantity may apply.

## FORMATS



BRERA GREY

# Grande Max

## BRERA GREY SLAB VARIATION

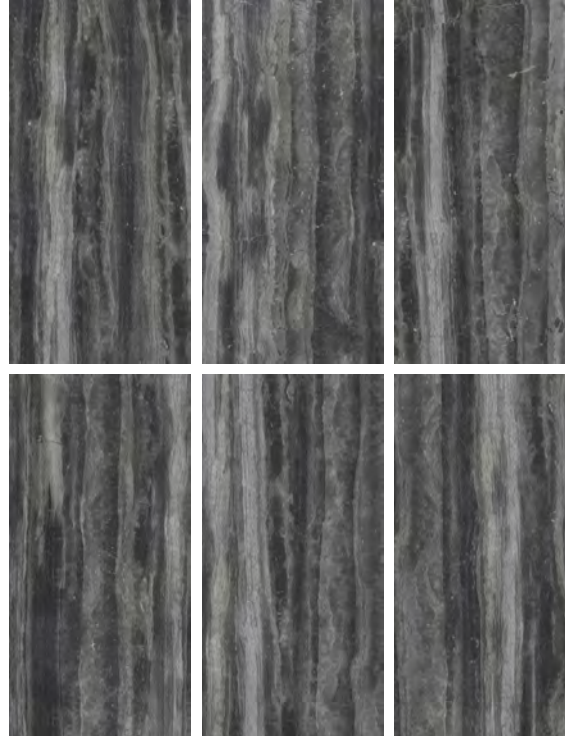
1620x3420x12mm



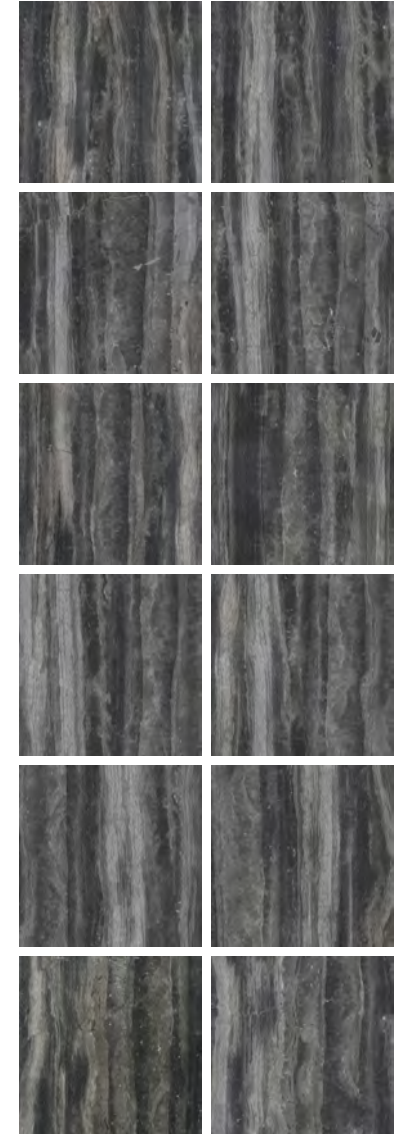
1600x3200x6mm



1200x2400x6mm



1200x1200x6mm





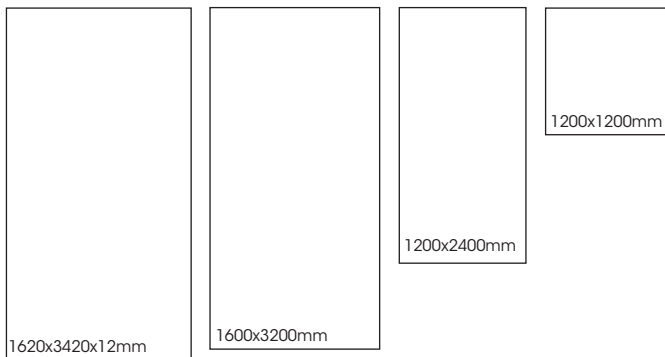
# Grande Max

## PRODUCT SPECIFICATIONS

| SIZES          | FINISHES | TILE EDGE |
|----------------|----------|-----------|
| 1200x1200x6mm* | MATT     | RECTIFIED |
| 1200x2400x6mm* | MATT     | RECTIFIED |
| 1600x3200x6mm* | MATT     | RECTIFIED |
| 1620x3240x12mm | MATT     | -         |

\* Indent item - Subject to stock availability overseas, please allow 10-12 weeks lead time from date of order confirmation. Minimum quantity may apply.

## FORMATS



CEPPO DI GRE



# Grande Max

## CEPPO DI GRE SLAB VARIATION

1620x3420x12mm



1600x3200x6mm



1200x2400x6mm



1200x1200x6mm



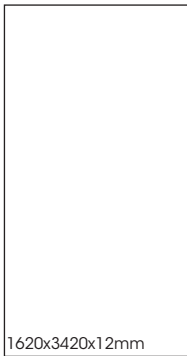
# Grande Max

## PRODUCT SPECIFICATIONS

| SIZES          | FINISHES | TILE EDGE |
|----------------|----------|-----------|
| 1620x3240x12mm | MATT     | -         |

\* Indent item - Subject to stock availability overseas, please allow 10-12 weeks lead time from date of order confirmation. Minimum quantity may apply.

## FORMATS



BASALTINA

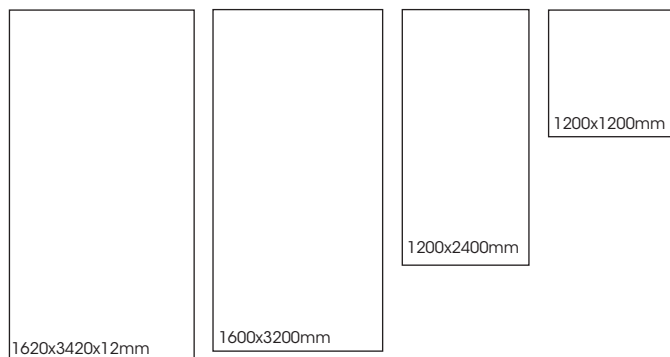
# Grande Max

## PRODUCT SPECIFICATIONS

| SIZES          | FINISHES | TILE EDGE |
|----------------|----------|-----------|
| 1200x1200x6mm* | MATT     | RECTIFIED |
| 1200x2400x6mm* | MATT     | RECTIFIED |
| 1600x3200x6mm* | MATT     | RECTIFIED |
| 1620x3240x12mm | MATT     | -         |

\* Indent item - Subject to stock availability overseas, please allow 10-12 weeks lead time from date of order confirmation. Minimum quantity may apply.

## FORMATS



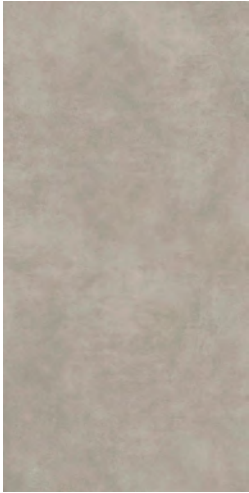
CONCRETE SMOKE



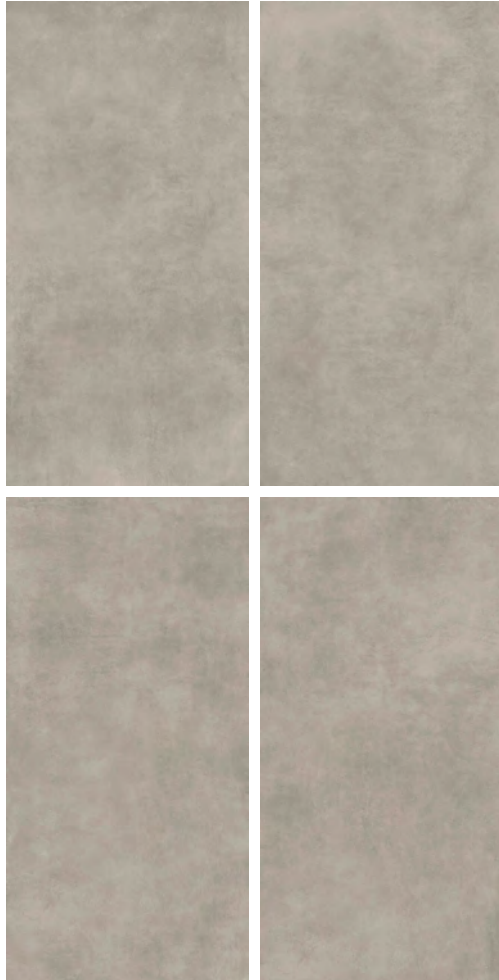
# Grande Max

## CONCRETE SMOKE SLAB VARIATION

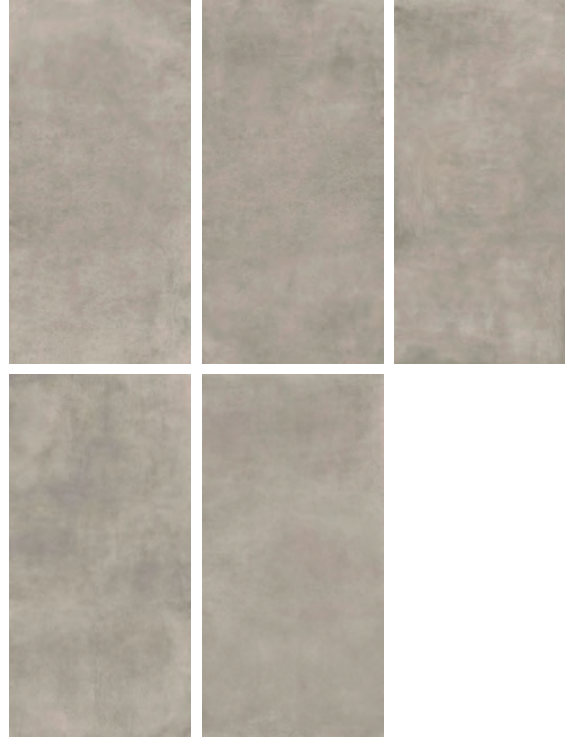
1620x3420x12mm



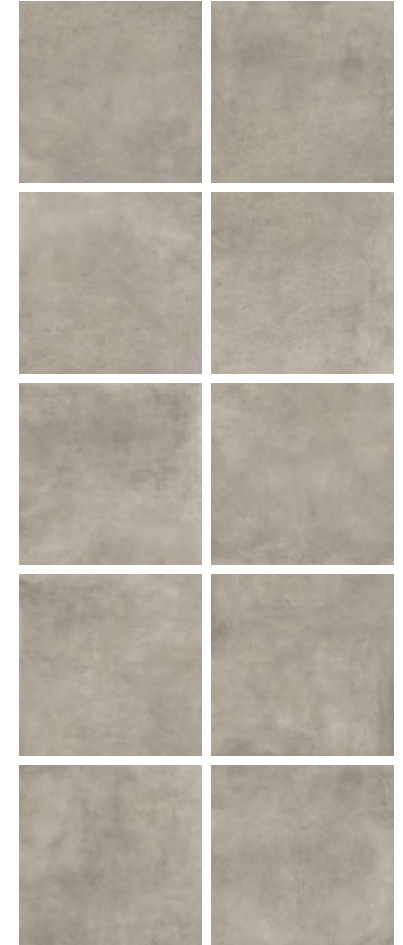
1600x3200x6mm



1200x2400x6mm



1200x1200x6mm



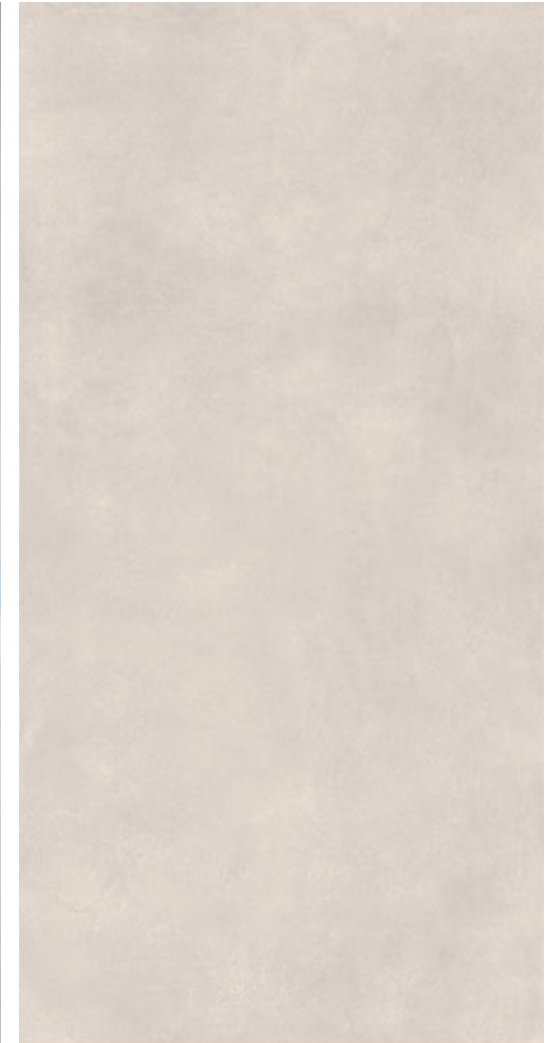
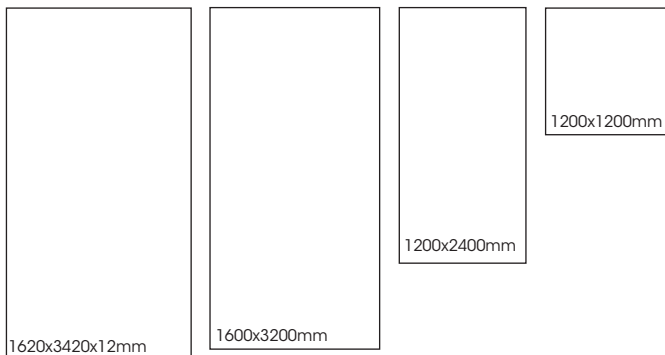
# Grande Max

## PRODUCT SPECIFICATIONS

| SIZES          | FINISHES | TILE EDGE |
|----------------|----------|-----------|
| 1200x1200x6mm* | MATT     | RECTIFIED |
| 1200x2400x6mm* | MATT     | RECTIFIED |
| 1600x3200x6mm* | MATT     | RECTIFIED |
| 1620x3240x12mm | MATT     | -         |

\* Indent item - Subject to stock availability overseas, please allow 10-12 weeks lead time from date of order confirmation. Minimum quantity may apply.

## FORMATS



CONCRETE WHITE

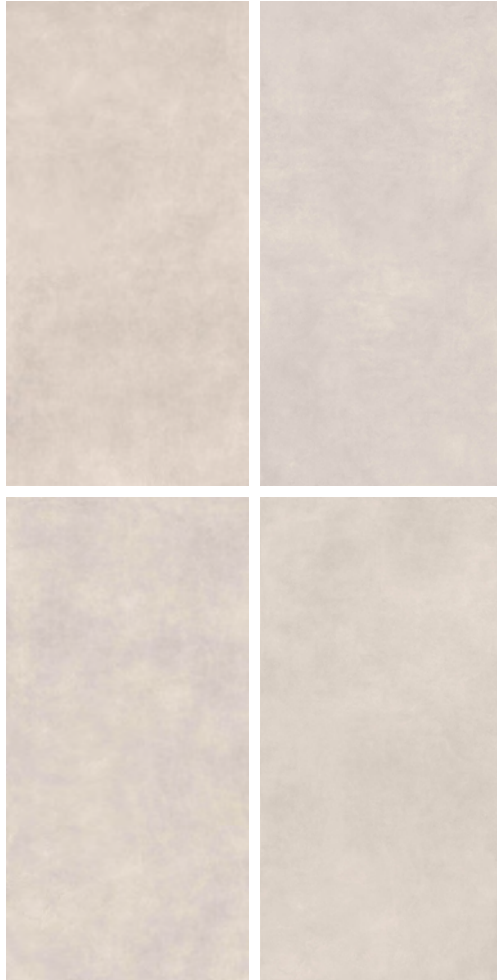
# Grande Max

## CONCRETE WHITE SLAB VARIATION

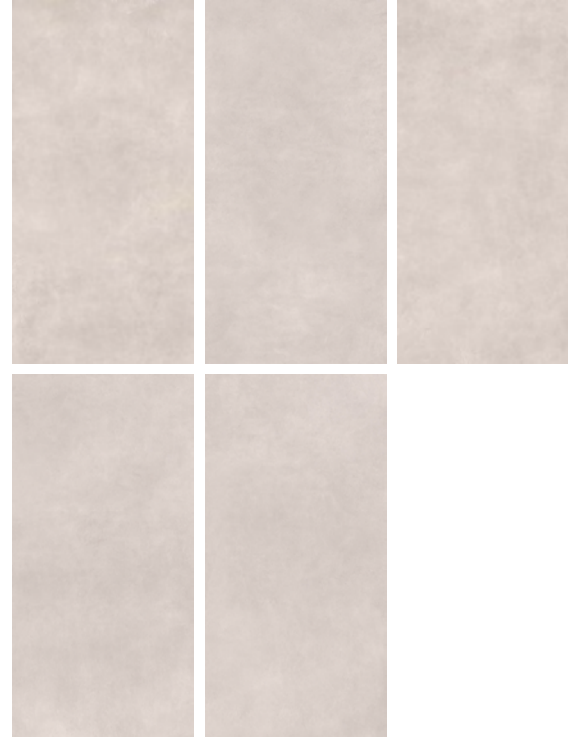
1620x3420x12mm



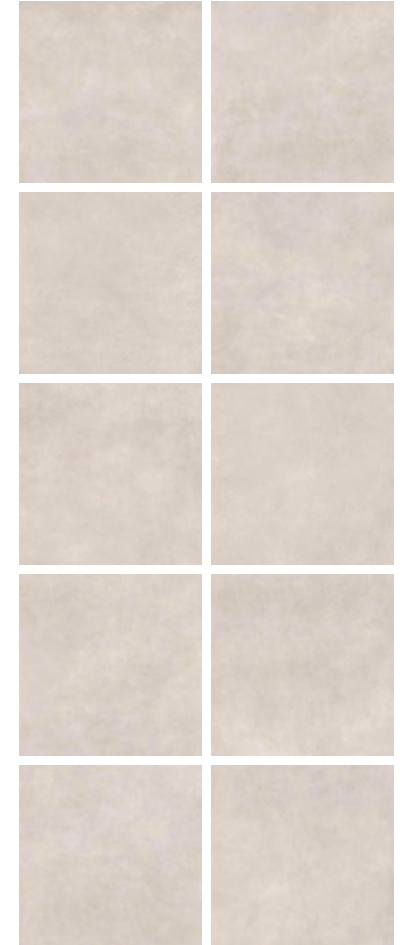
1600x3200x6mm



1200x2400x6mm



1200x1200x6mm





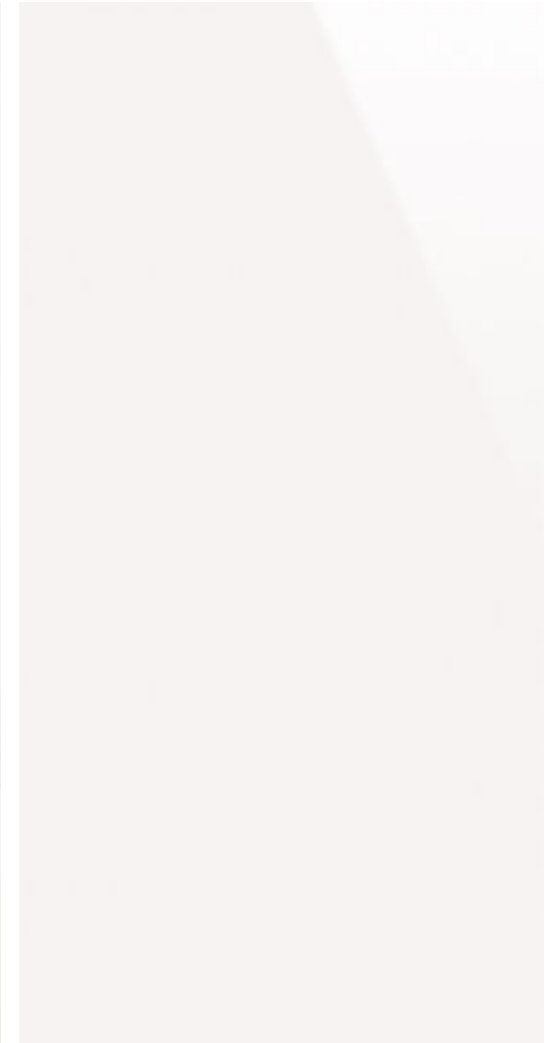
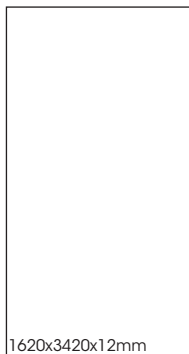
# Grande Max

## PRODUCT SPECIFICATIONS

| SIZES           | FINISHES | TILE EDGE |
|-----------------|----------|-----------|
| 1600x3200x6mm*  | POLISH   | RECTIFIED |
| 1600x3200x6mm*  | SATIN    | RECTIFIED |
| 1620x3240x12mm* | POLISH   | -         |
| 1620x3240x12mm  | SATIN    | -         |

\* Indent item - Subject to stock availability overseas, please allow 10-12 weeks lead time from date of order confirmation. Minimum quantity may apply.

## FORMATS



SOLID WHITE

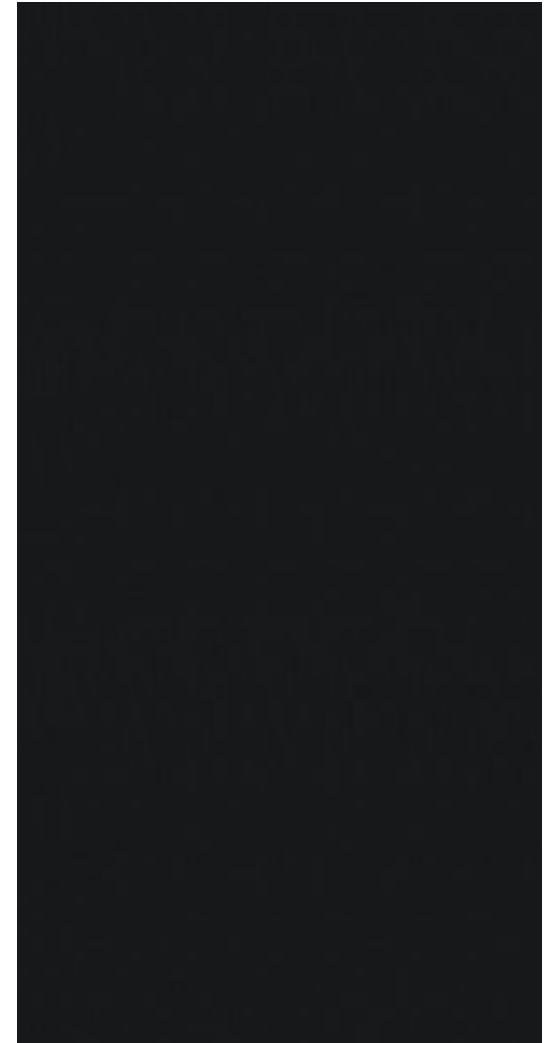
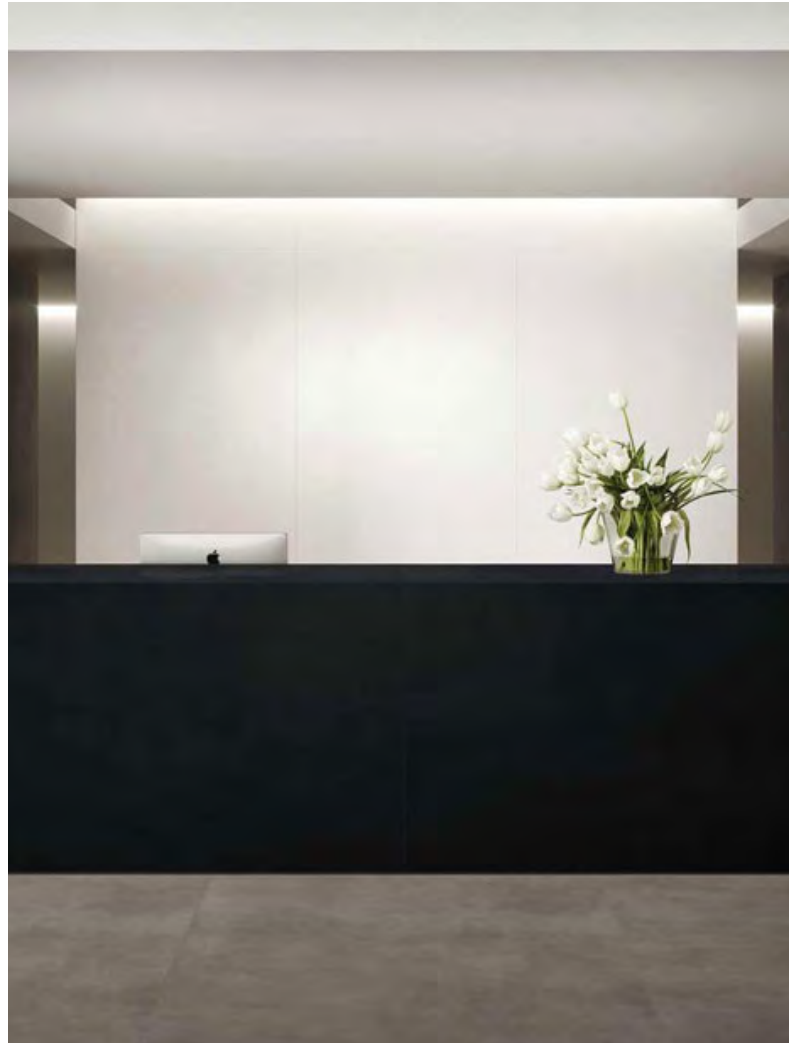
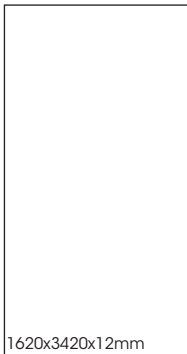
# Grande Max

## PRODUCT SPECIFICATIONS

| SIZES          | FINISHES | TILE EDGE |
|----------------|----------|-----------|
| 1620x3240x12mm | SATIN    | -         |

\* Indent item - Subject to stock availability overseas, please allow 10-12 weeks lead time from date of order confirmation. Minimum quantity may apply.

## FORMATS



SOLID BLACK

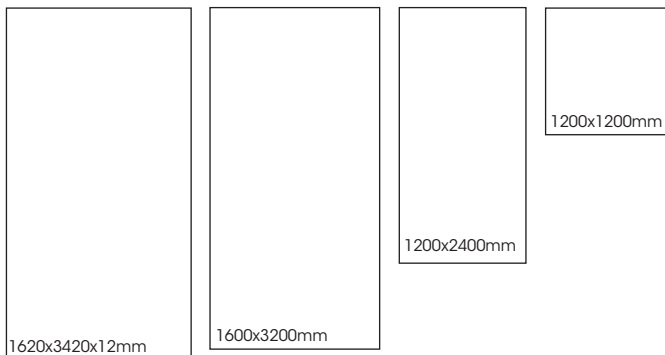
# Grande Max

## PRODUCT SPECIFICATIONS

| SIZES           | FINISHES | TILE EDGE |
|-----------------|----------|-----------|
| 1200x1200x6mm*  | MATT     | RECTIFIED |
| 1200x2400x6mm*  | MATT     | RECTIFIED |
| 1600x3200x6mm*  | MATT     | RECTIFIED |
| 1620x3240x12mm* | MATT     | -         |

\* Indent item - Subject to stock availability overseas, please allow 10-12 weeks lead time from date of order confirmation. Minimum quantity may apply.

## FORMATS



METAL IRON DARK



## METAL IRON DARK SLAB VARIATION

1620x3420x12mm



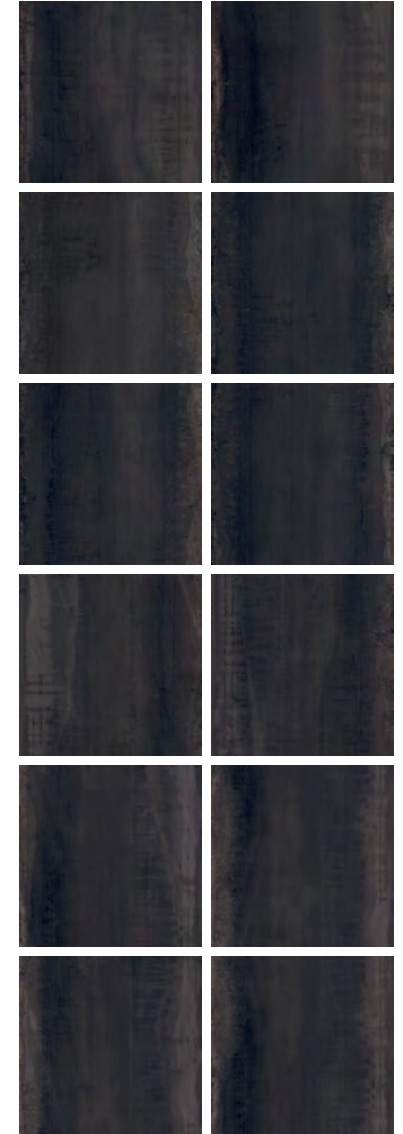
1600x3200x6mm



1200x2400x6mm



1200x1200x6mm



# Grande Max

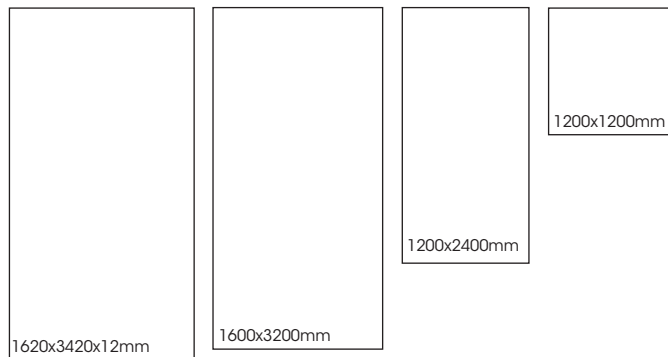
# Grande Max

## PRODUCT SPECIFICATIONS

| SIZES           | FINISHES | TILE EDGE |
|-----------------|----------|-----------|
| 1200x1200x6mm*  | MATT     | RECTIFIED |
| 1200x2400x6mm*  | MATT     | RECTIFIED |
| 1600x3200x6mm*  | MATT     | RECTIFIED |
| 1620x3240x12mm* | MATT     | -         |

\* Indent item - Subject to stock availability overseas, please allow 10-12 weeks lead time from date of order confirmation. Minimum quantity may apply.

## FORMATS



METAL IRON LIGHT

## METAL IRON LIGHT SLAB VARIATION

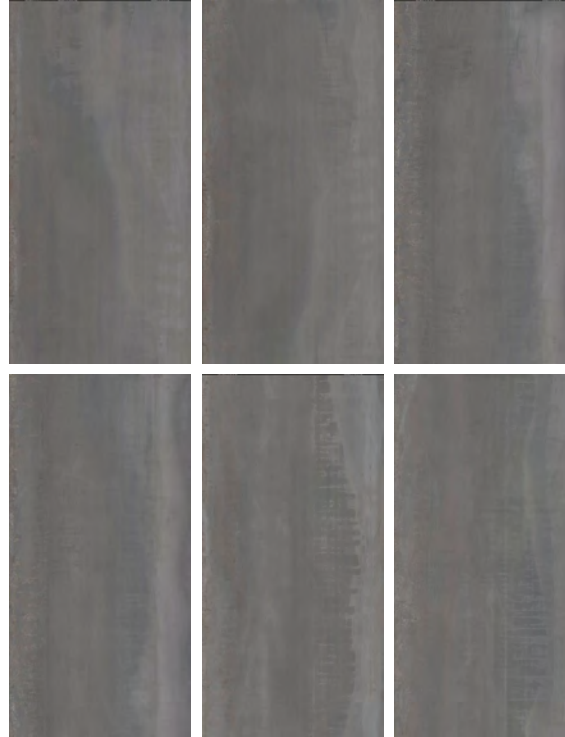
1620x3420x12mm



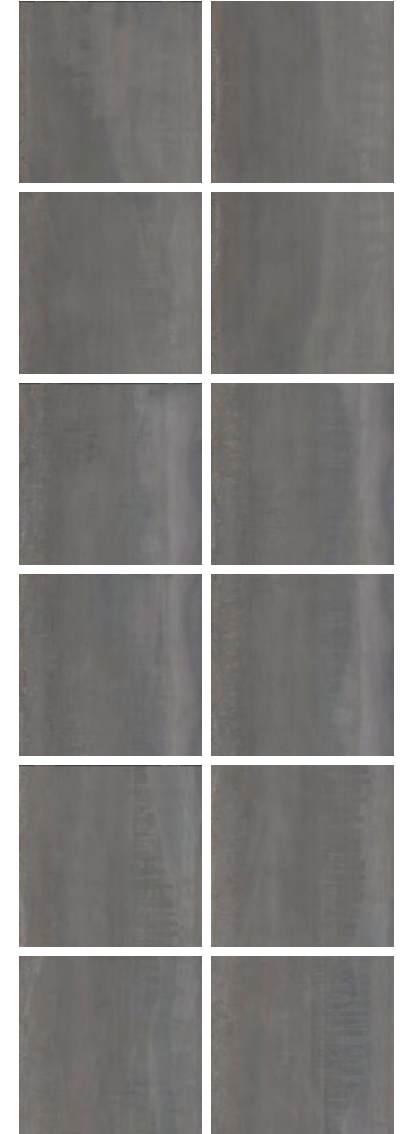
1600x3200x6mm



1200x2400x6mm







1200x1200x6mm



# Grande Max



# Grande Max

| Technical Characteristics   | Test Method  | Requirement      | Result               |
|---|--------------|------------------|----------------------|
|  Water Absorption    | ISO 10545-3  | 3%               | 3%                   |
|  Breaking Strength   | ISO 10545-4  | 1100             | 40 N/mm <sup>2</sup> |
|  Frost Resistance    | ISO 10545-12 | Required         | frost resistant      |
|  Chemical Resistance | ISO 10545-13 | Declared Value C | lass GA / GLA        |

GRANDE MAX 12MM COMPARISON WITH OTHER MATERIALS

# Grande Max

|                                      | GRANDE MAX | GRANDE MAX POLISH | QUARTZ | LAMINATE WOODS | SOLID SURFACES | NATURAL STONES | STEEL |
|--------------------------------------|------------|-------------------|--------|----------------|----------------|----------------|-------|
| HYGIENIC                             | ●●●        | ●●●               | ●●●    | ●              | ●●●            | ●              | ●●●   |
| NON POROUS                           | ●●●        | ●●●               | ●●●    | ●              | ●●●            | ●              | ●●●   |
| SUITABLE FOR USE OUTDOORS            | ●●●        | ●●●               | ●      | ●              | ●●             | ●●             | ●●    |
| RESISTANT TO HIGH TEMPERATURES       | ●●●        | ●●●               | ●●     | ●              | ●              | ●●             | ●●●   |
| RESISTANT TO STAINING                | ●●●        | ●●                | ●●     | ●●             | ●●             | ●              | ●●●   |
| RESISTANT TO DETERGENTS              | ●●●        | ●●                | ●●     | ●●             | ●              | ●              | ●     |
| RESISTANCE TO CHEMICALS              | ●●●        | ●●                | ●●     | ●              | ●●             | ●              | ●●    |
| RESISTANCE TO THERMAL SHOCK          | ●●●        | ●●●               | ●●     | ●              | ●●             | ●●●            | ●●●   |
| RESISTANCE TO FREEZING-DEFROSTING    | ●●●        | ●●●               | ●●●    | ●              | ●              | ●●             | ●●●   |
| RESISTANT TO HUMIDITY                | ●●●        | ●●●               | ●●●    | ●              | ●●●            | ●              | ●●●   |
| RESISTANCE TO UV RAYS                | ●●●        | ●●●               | ●●     | ●              | ●              | ●●             | ●●●   |
| RESISTANT TO SCRATCHING AND ABRASION | ●●●        | ●●                | ●●     | ●              | ●              | ●●             | ●     |
| EASY TO CLEAN AND MAINTAIN           | ●●●        | ●●●               | ●●●    | ●●             | ●●             | ●              | ●     |