

# Slimtech Gouache 1.0



SLIMTECH is the result of a new innovative technology of compaction of porcelain stoneware. The ultra-thin 3.5mm laminated Porcelain Slabs only weigh 7.1kg/m<sup>2</sup> making it a flexible, light and extremely easy product to handle. Whether the surface is interior or exterior a wall or a floor, Porcelain Slabs are the ideal surface solution for new building projects or renovations.

**PRODUCT TYPE:** 3.5mm Fibreglass reinforced lightweight porcelain slabs (Approx 7.5kg/m<sup>2</sup>)

**COLOURS:** White Cloud, Soft Sand, Light Rock, Black Stone, Crystal Water, Cool Rain & Deep Sea

**SIZES:** 500x1000x3.5mm, 1000x1000x3.5mm and 1000x3000x3.5mm. Rectified edges

**FINISHES/USAGE:** Matt/Wall and floor

**AESTHETIC QUALITIES:** Textured, porcelain slabs

**TECHNICAL INFO:** Easily Maintained With Conventional Cleaning Products

Cut & Drill With Standard Glass & Ceramic Tools

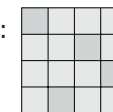
Hard Wearing, Graffiti & Fade Resistant, Waterproof, Non-Flammable, Fire & Chemical Resistant

This product requires approximately 8-12 weeks lead-time from date of order and a minimum quantity may apply.

More technical data on the last page.

**ORIGIN:** Italy

**VARIATION:**



V2

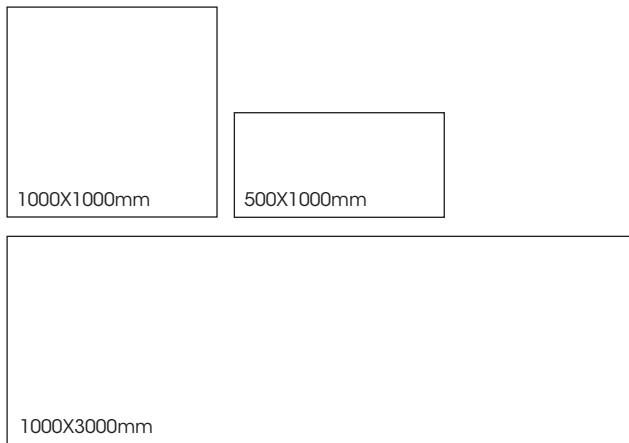
Variation is an inherent property of tiles and stone. Sizes are nominal and may include a joint. Visit <http://www.skheme.com/Conditions.aspx> for all disclaimer, copyright and terms and conditions.

# Slimtech Gouache 1.0

## PRODUCT SPECIFICATIONS

SIZES	FINISHES	TILE EDGE
500X1000x3.5mm*	MATT	RECTIFIED
1000X1000x3.5mm*	MATT	RECTIFIED
1000X3000x3.5mm*	MATT	RECTIFIED

## FORMATS



WHITE CLOUD



SOFT SAND



LIGHT ROCK



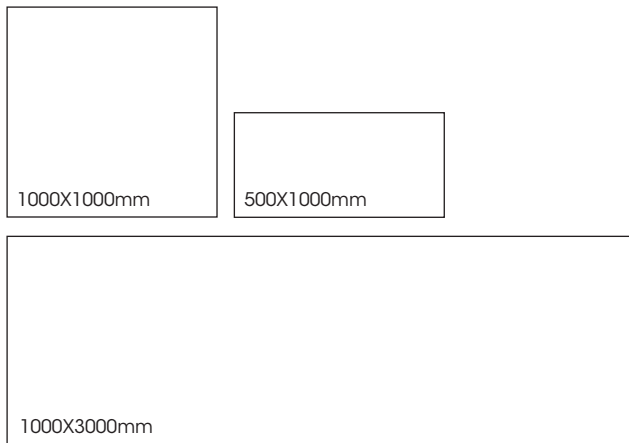
BLACK STONE

# Slimtech Gouache 1.0

## PRODUCT SPECIFICATIONS

SIZES	FINISHES	TILE EDGE
500X1000x3.5mm*	MATT	RECTIFIED
1000X1000x3.5mm*	MATT	RECTIFIED
1000X3000x3.5mm*	MATT	RECTIFIED

## FORMATS



DEEP SEA






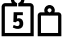





CRYSTAL WATER



COOL RAIN

# Slimtech Gouache 1.0

## laminated porcelain UGL

	technical characteristics	test method	required values iso 13006 - G / en 14411 - G B1a ugl	value
	water absorption	iso 10545-3	≤ 0,5%	≤ 0,01%*
	frost resistance	iso 10545-12	no alterations	resistant
	bending strength	iso 10545-4	≥ 35 N/mm <sup>2</sup>	≥ 120 N/mm <sup>2**</sup>
	breaking strength (S)	iso 10545-4	≥ 700 N	≥ 1000 N**
	resistance to deep abrasion	iso 10545-6	≤ 175 mm <sup>3</sup>	compliant
	resistance to compression	-	-	≥ 400 N/mm <sup>2</sup>
	thermal shock resistance	iso 10545-9	resistant	resistant
	chemical resistance	iso 10545-13	as indicated by manufacturer	resistant
	stain resistance	iso 10545-14	≥ class 3	resistant