

Bianco



PRODUCT TYPE: Porcelain

COLOURS: Carrara and Statuario

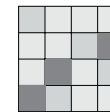
SIZES: 600x600mm, 870x870mm, 900x900mm,
300x1200mm, 600x1200mm,
290x1160mm, 580x1160mm rectified
edges.
Hex 210x182mm non-rectified

FINISHES/USAGE: Matt and Honed/Wall and floor

AESTHETIC QUALITIES: Precise, realistic marble look

ORIGIN: Italy

VARIATION:



V3

BIANCO is a precise, realistic version of Carrara and Statuario marble. The matt and honed finishes echo that of real stone and spotting the difference is next to impossible!

Bianco

PRODUCT SPECIFICATIONS

SIZES	FINISHES	TILE EDGE
600x600mm	MATT	RECTIFIED
900x900mm*	MATT	RECTIFIED
300x1200mm*	MATT	RECTIFIED
600x1200mm	MATT	RECTIFIED
870x870mm*	HONED	RECTIFIED
290x1160mm*	HONED	RECTIFIED
580x1160mm	HONED	RECTIFIED
210x182mm (Hex)	MATT	NON-RECTIFIED

NB: 600x600mm has 38 faces before a repeat occurs
 580x1160 has 18 faces before a repeat occurs
 600x1200mm Carrara has 18 faces before a repeat occurs
 600x1200mm Statuario has 19 faces before a repeat occurs

* Indent item - Subject to stock availability overseas, please allow 6-10 weeks lead time from date of order confirmation. Minimum quantity may apply.



CARRARA MATT

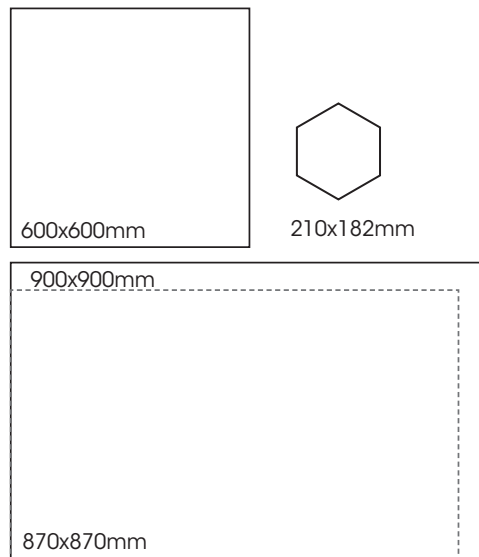
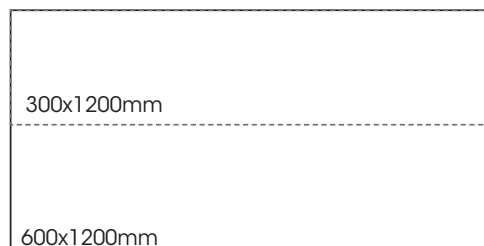
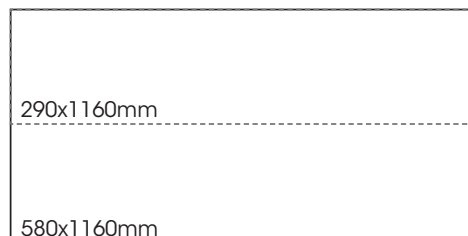


CARRARA HONED



CARRARA MATT

FORMATS



Bianco

PRODUCT SPECIFICATIONS

SIZES	FINISHES	TILE EDGE
600x600mm	MATT	RECTIFIED
900x900mm*	MATT	RECTIFIED
300x1200mm*	MATT	RECTIFIED
600x1200mm	MATT	RECTIFIED
870x870mm*	HONED	RECTIFIED
290x1160mm*	HONED	RECTIFIED
580x1160mm	HONED	RECTIFIED
210x182mm (Hex)	MATT	NON-RECTIFIED

NB: 600x600mm has 38 faces before a repeat occurs
 580x1160 has 18 faces before a repeat occurs
 600x1200mm Carrara has 18 faces before a repeat occurs
 600x1200mm Statuario has 19 faces before a repeat occurs

* Indent item - Subject to stock availability overseas, please allow 6-10 weeks lead time from date of order confirmation. Minimum quantity may apply.



STATUARIO MATT

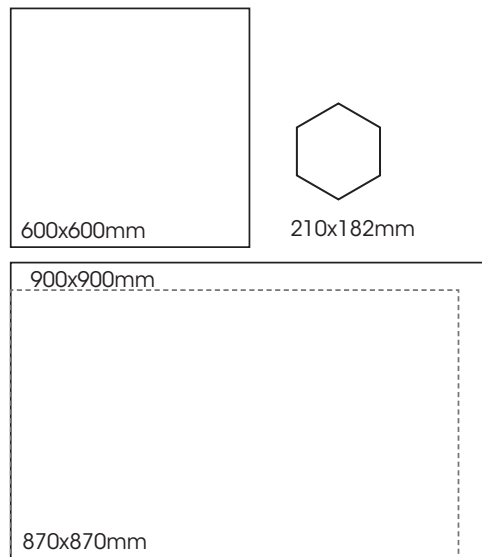
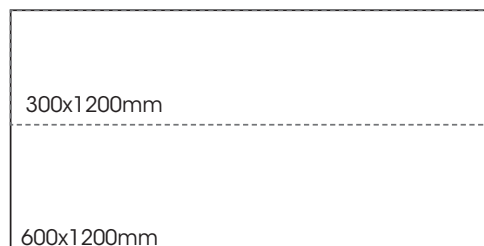
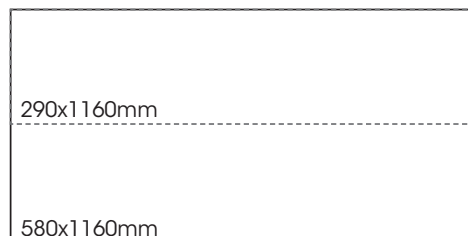


STATUARIO HONED



STATUARIO MATT

FORMATS



Bianco



Bianco



Bianco

technical characteristics	test method	required values	value
water absorption	iso 10545-3	0,5% < E ≤ 3%	0,5%
breaking strength (S)	iso 10545-4	≥ 1300 (thickness ≥7,5mm) ≥ 700 (thickness <7,5mm)	≥ =1300
thermal shock resistance	iso 10545-9	no visible defects	complies with standard
chemical resistance to household chemicals	iso 10545-13	GB minimum	GA
chemical resistance to low concentration of acids and alkalis	iso 10545-13	Testing method available	GLA-GLB
stain resistance	iso 10545-14	minimum Class 3	Class 5
length and width of the average sizes	iso 10545-2	± 0,5%	compliant
thickness	iso 10545-2	± 0,5%	compliant
straightness of sides	iso 10545-2	± 0,5%	compliant