

Artesia



ARTESIA realistically and physically represents slate, an ancient and natural stone. Beautifully textured with all the irregularities and variations in colour, ARTESIA is available in four classical colours and a wide range of sizes.

PRODUCT TYPE: Colour-bodied porcelain

COLOURS: Pearl, Argent, Ash and Black

TILE SIZES: 145x498mm, 300x600mm, 600x600mm,
600x1200mm, 450x900mm, 900x900mm
Rectified edges

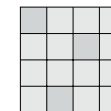
TILE FINISHES/USAGE: Natural, Semi-Polish and Grip/Wall and Floor

AESTHETIC QUALITIES: Slate look, soft texture

TILE TECHNICAL DATA: Matt P3 (X Pendulum)
Grip P5 (V Pendulum)

The GRIP finish in all colours receives a Sustainable Slip Resistance value of P3 'X' pendulum after 500 cycles

VARIATION:



V3

Artesia

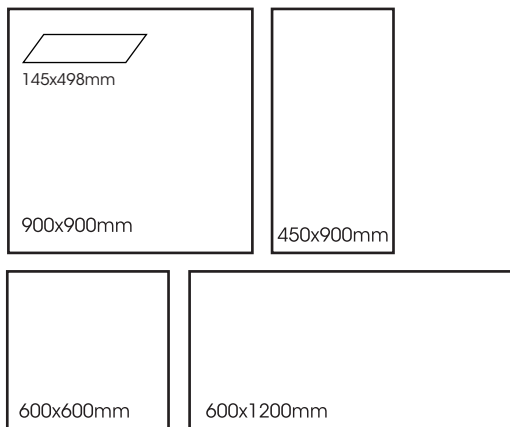
PRODUCT SPECIFICATIONS - TILES

| SIZES | FINISHES | SLIP RATING | TILE EDGE |
|---------------|-----------------|-----------------|-----------|
| 145x498mm | CHEVRON NATURAL | P3 (X Pendulum) | RECTIFIED |
| 300x600mm | NATURAL | P3 (X Pendulum) | RECTIFIED |
| 600x600mm | NATURAL | P3 (X Pendulum) | RECTIFIED |
| 600x1200mm* | NATURAL | P3 (X Pendulum) | RECTIFIED |
| 450x900mm* | NATURAL | P3 (X Pendulum) | RECTIFIED |
| 900x900mm* | NATURAL | P3 (X Pendulum) | RECTIFIED |
| 600x600mm* | SEMI-POLISH | - | RECTIFIED |
| 600x1200mm* | SEMI-POLISH | - | RECTIFIED |
| 450x900mm* | SEMI-POLISH | - | RECTIFIED |
| 900x900mm* | SEMI-POLISH | - | RECTIFIED |
| 300x600mm* | GRIP** | P5 (V Pendulum) | RECTIFIED |
| 600x600mm | GRIP** | P5 (V Pendulum) | RECTIFIED |
| 600x600x20mm* | GRIP PAVER** | P5 (V Pendulum) | RECTIFIED |
| 450x900x20mm* | GRIP PAVER** | P5 (V Pendulum) | RECTIFIED |

* Indent item - Subject to stock availability overseas, please allow 8-10 weeks lead time from date of order confirmation. Minimum quantity may apply.

**The GRIP finish in all colours receives a Sustainable Slip Resistance value of P3 'X' pendulum after 500 cycles

FORMATS



PEARL

*145x498mm chevron is available in left and right tiles



ARGENT

*145x498mm chevron is available in left and right tiles

Variation is an inherent property of tiles and stone. Sizes are nominal and may include a joint.

Artesia

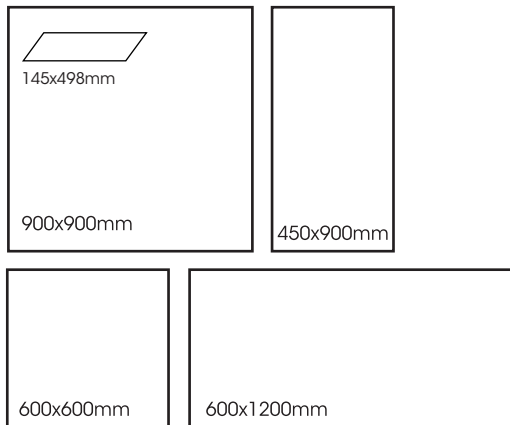
PRODUCT SPECIFICATIONS - TILES

| SIZES | FINISHES | SLIP RATING | TILE EDGE |
|---------------|-----------------|-----------------|-----------|
| 145x498mm | CHEVRON NATURAL | P3 (X Pendulum) | RECTIFIED |
| 300x600mm | NATURAL | P3 (X Pendulum) | RECTIFIED |
| 600x600mm | NATURAL | P3 (X Pendulum) | RECTIFIED |
| 600x1200mm* | NATURAL | P3 (X Pendulum) | RECTIFIED |
| 450x900mm* | NATURAL | P3 (X Pendulum) | RECTIFIED |
| 900x900mm* | NATURAL | P3 (X Pendulum) | RECTIFIED |
| 600x600mm* | SEMI-POLISH | - | RECTIFIED |
| 600x1200mm* | SEMI-POLISH | - | RECTIFIED |
| 450x900mm* | SEMI-POLISH | - | RECTIFIED |
| 900x900mm* | SEMI-POLISH | - | RECTIFIED |
| 300x600mm* | GRIP** | P5 (V Pendulum) | RECTIFIED |
| 600x600mm | GRIP** | P5 (V Pendulum) | RECTIFIED |
| 600x600x20mm* | GRIP PAVER** | P5 (V Pendulum) | RECTIFIED |
| 450x900x20mm* | GRIP PAVER** | P5 (V Pendulum) | RECTIFIED |

* Indent item - Subject to stock availability overseas, please allow 8-10 weeks lead time from date of order confirmation. Minimum quantity may apply.

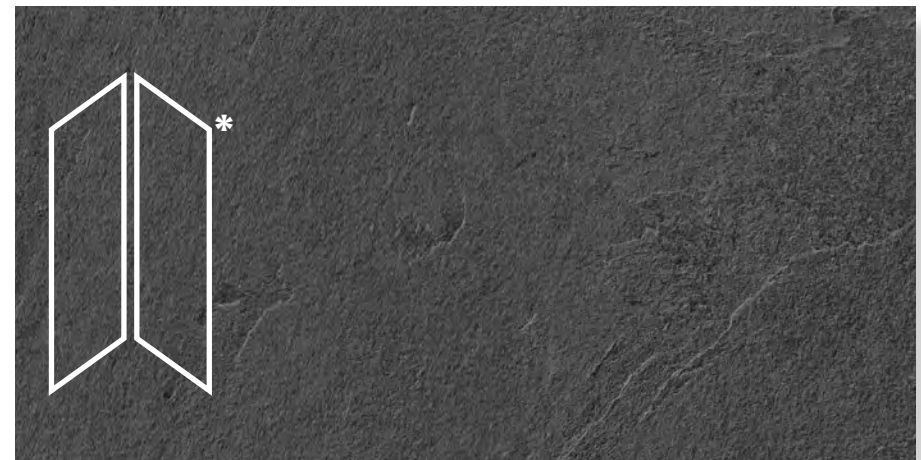
**The GRIP finish in all colours receives a Sustainable Slip Resistance value of P3 'X' pendulum after 500 cycles

FORMATS



ASH

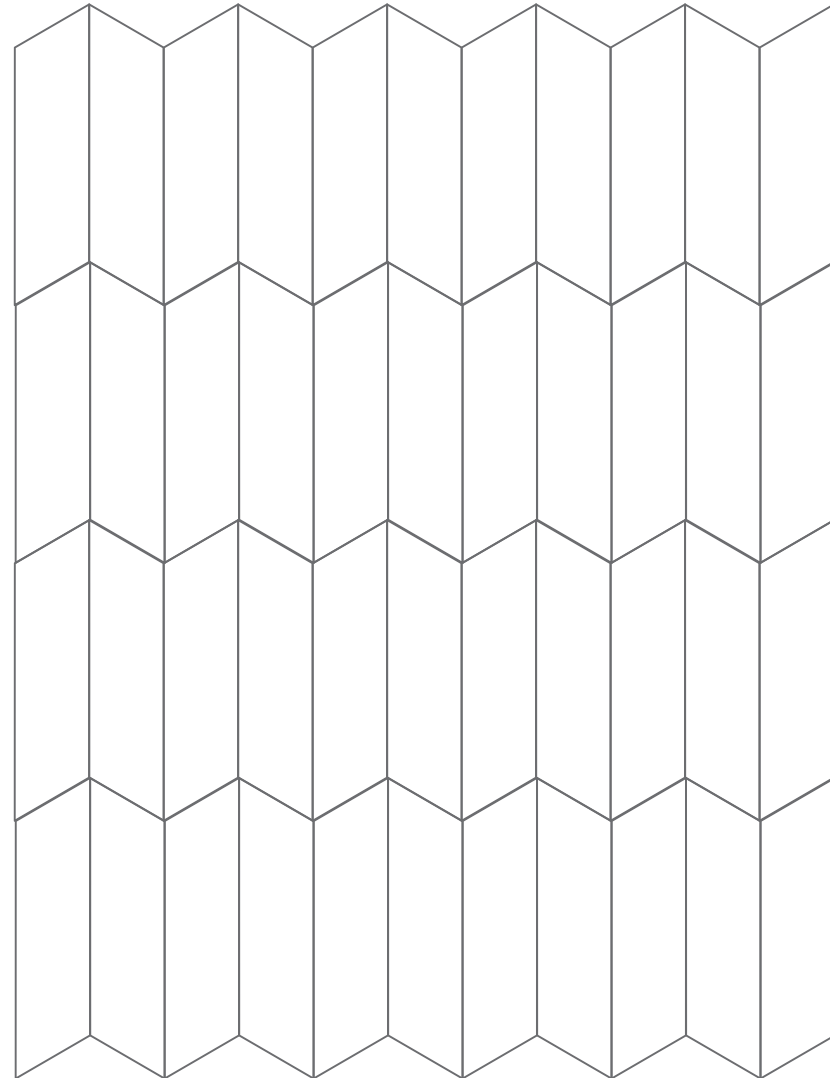
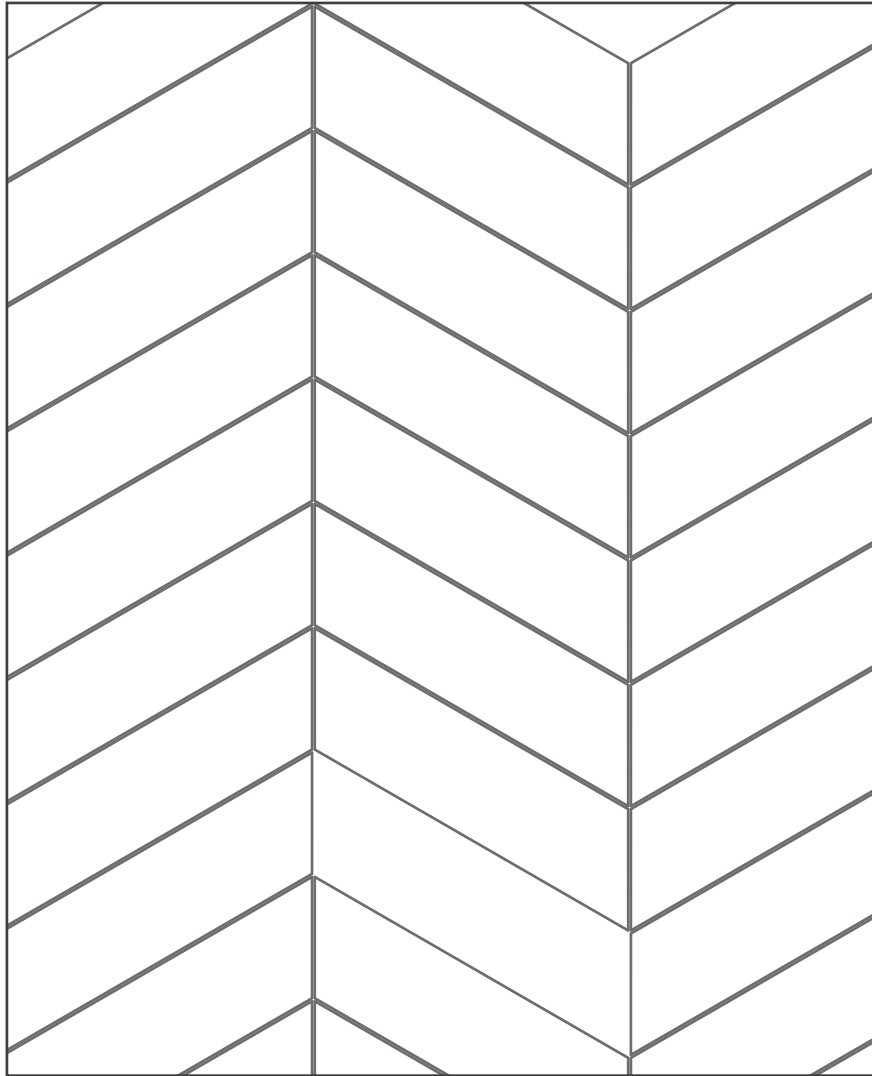
*145x498mm chevron is available in left and right tiles



BLACK

*145x498mm chevron is available in left and right tiles

Artesia



Artesia



Artesia








Artesia



Artesia



TECHNICAL CHARACTERISTICS - TILES

| | technical characteristics | test method | required values | value |
|---|---------------------------|--------------|------------------------------|-----------------------|
|  | water absorption | iso 10545-30 | ≤ 0,5% | 0.05% |
|  | breaking strength (S) | iso 10545-4 | ≥ 250 lbs | 600 lbs (10.5mm) |
|  | abrasion resistace | iso 10545-7 | ≤ 175 mm ³ | ≤ 145 mm ³ |
|  | chemical resistance | iso 10545-13 | As indicated by manufacturer | Resistant |
|  | stain resistance | iso 10545-14 | As indicated by manufacturer | Resistant |