

Grande Max



PRODUCT TYPE: 6mm Coloured body porcelain

COLOUR: Carrara, Statuario, Golden White, Brera Grey and St Laurent

SIZES: 1200x1200mm, 1200x2400mm and 1600x3200mm
Rectified edges

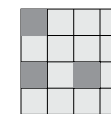
FINISHES/USAGE: Satin and Polish/Wall and Floor

AESTHETIC QUALITIES: Marble look porcelain slab

ORIGIN: Italy

TECHNICAL DATA: See last page

VARIATION:



V3

Made in Italy, GRANDE MAX features the classical elegance of five types of marble translated into stoneware with satin and polished surfaces. GRANDE MAX is 6mm thick and can be used for both horizontal and vertical flat surfaces including facades for both indoor and outdoor.

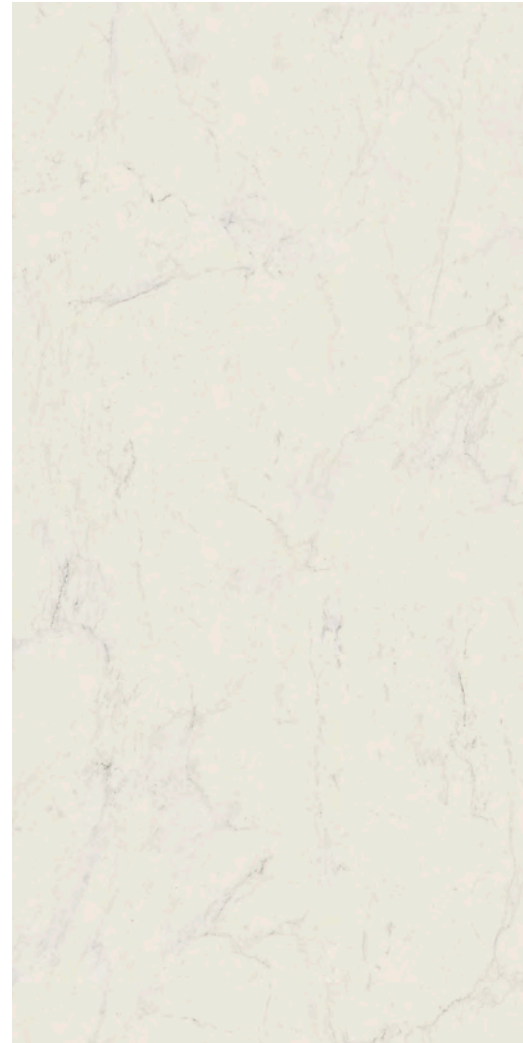
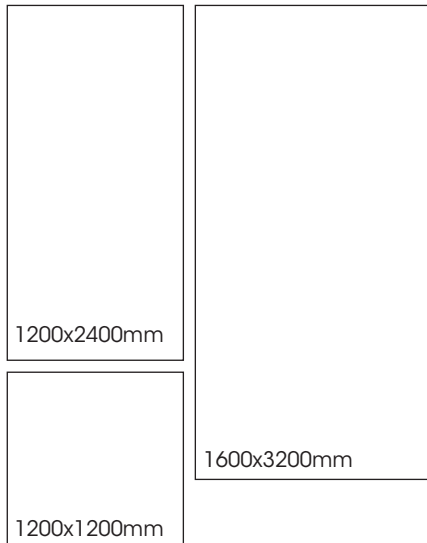
Grande Max

PRODUCT SPECIFICATIONS

SIZES	FINISHES	SLIP RATING	TILE EDGE
1200x1200mm	SATIN	-	RECTIFIED
1200x2400mm	SATIN	-	RECTIFIED
1600x3200mm	SATIN	-	RECTIFIED
1200x1200mm	POLISH	-	RECTIFIED
1200x2400mm	POLISH	-	RECTIFIED
1600x3200mm	POLISH	-	RECTIFIED

* Indent item - Subject to stock availability overseas, please allow 10-12 weeks lead time from date of order confirmation. Minimum quantity may apply

FORMATS



CARRARA



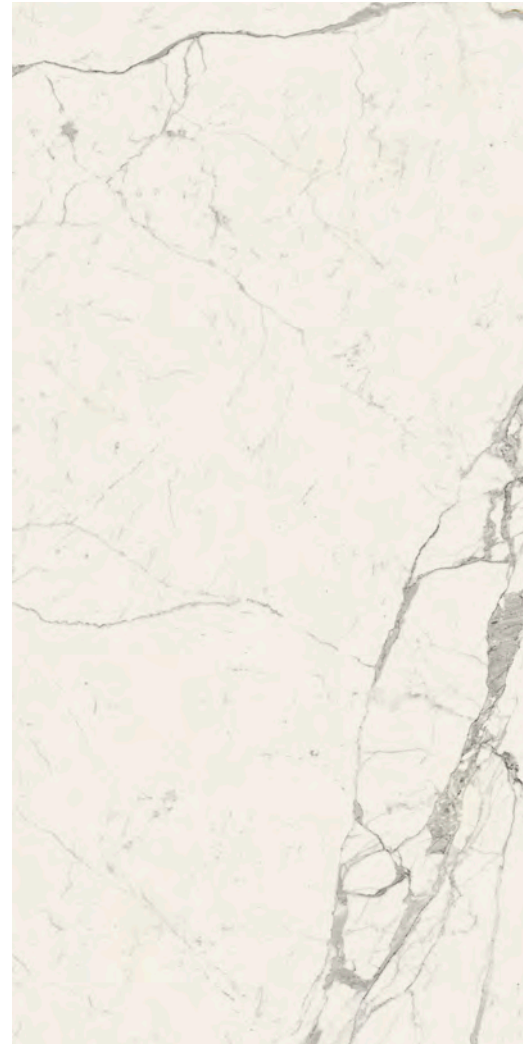
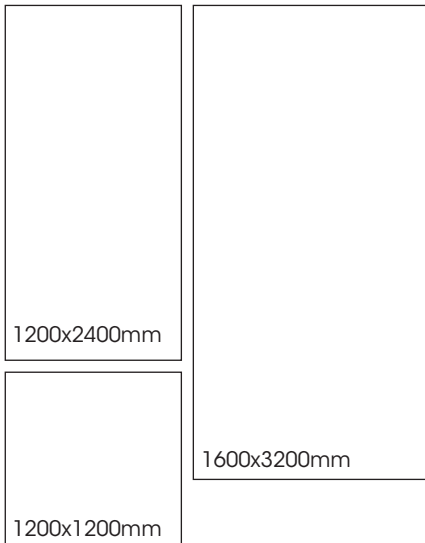
Grande Max

PRODUCT SPECIFICATIONS

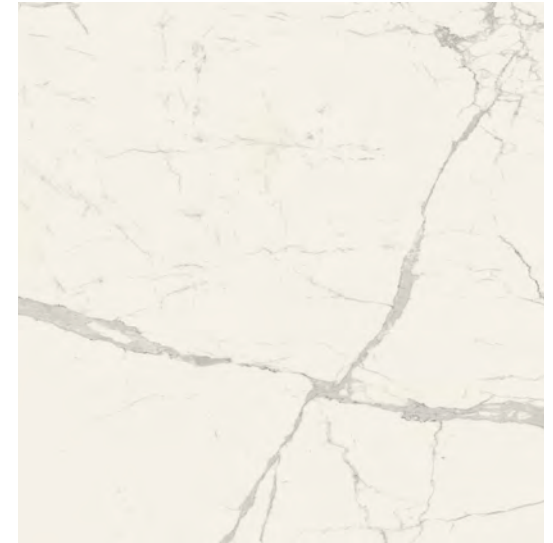
SIZES	FINISHES	SLIP RATING	TILE EDGE
1200x1200mm	SATIN	-	RECTIFIED
1200x2400mm	SATIN	-	RECTIFIED
1600x3200mm	SATIN	-	RECTIFIED
1200x1200mm	POLISH	-	RECTIFIED
1200x2400mm	POLISH	-	RECTIFIED
1600x3200mm	POLISH	-	RECTIFIED

* Indent item - Subject to stock availability overseas, please allow 10-12 weeks lead time from date of order confirmation. Minimum quantity may apply

FORMATS



STATUARIO



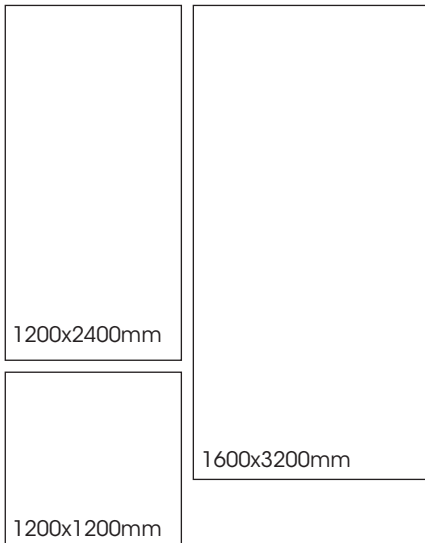
Grande Max

PRODUCT SPECIFICATIONS

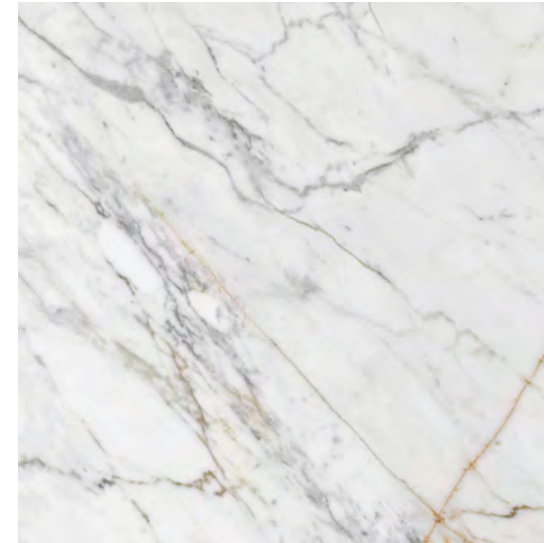
SIZES	FINISHES	SLIP RATING	TILE EDGE
1200x1200mm	SATIN	-	RECTIFIED
1200x2400mm	SATIN	-	RECTIFIED
1600x3200mm	SATIN	-	RECTIFIED
1200x1200mm	POLISH	-	RECTIFIED
1200x2400mm	POLISH	-	RECTIFIED
1600x3200mm	POLISH	-	RECTIFIED

* Indent item - Subject to stock availability overseas, please allow 10-12 weeks lead time from date of order confirmation. Minimum quantity may apply

FORMATS



GOLDEN WHITE



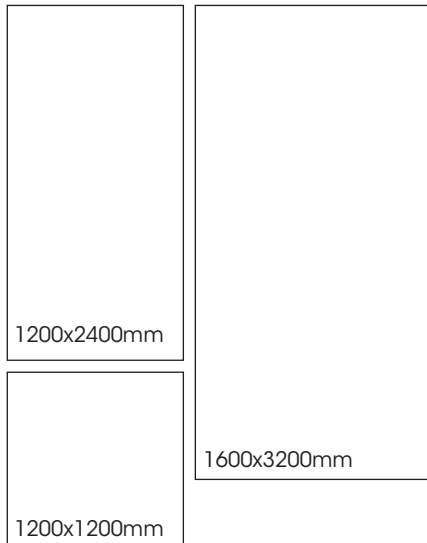
Grande Max

PRODUCT SPECIFICATIONS

SIZES	FINISHES	SLIP RATING	TILE EDGE
1200x1200mm	SATIN	-	RECTIFIED
1200x2400mm	SATIN	-	RECTIFIED
1600x3200mm	SATIN	-	RECTIFIED
1200x1200mm	POLISH	-	RECTIFIED
1200x2400mm	POLISH	-	RECTIFIED
1600x3200mm	POLISH	-	RECTIFIED

* Indent item - Subject to stock availability overseas, please allow 10-12 weeks lead time from date of order confirmation. Minimum quantity may apply

FORMATS



BRERA GREY



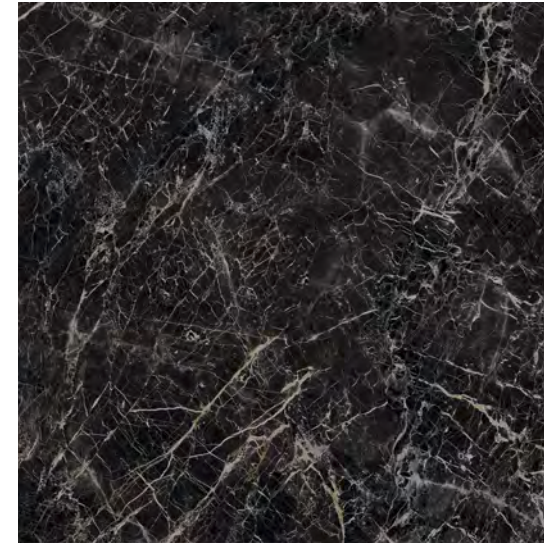
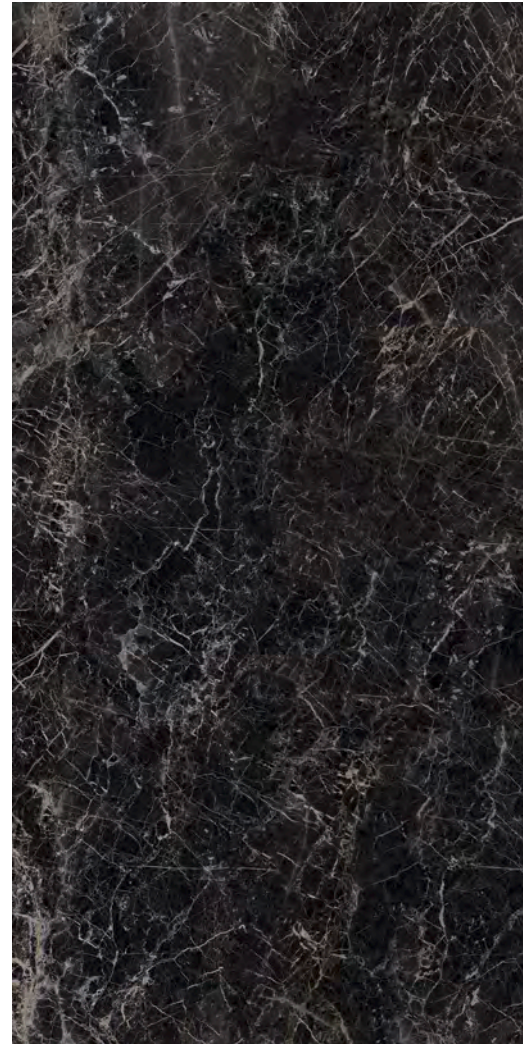
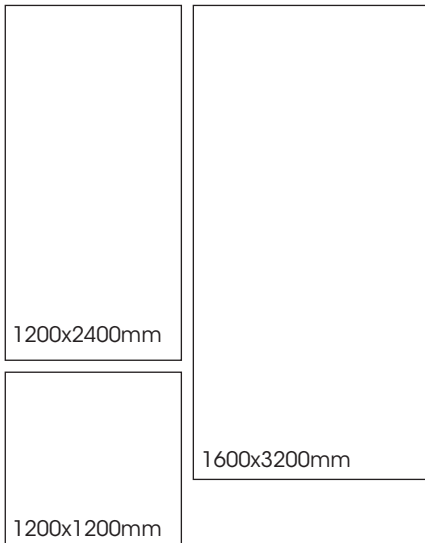
Grande Max

PRODUCT SPECIFICATIONS

SIZES	FINISHES	SLIP RATING	TILE EDGE
1200x1200mm	SATIN	-	RECTIFIED
1200x2400mm	SATIN	-	RECTIFIED
1600x3200mm	SATIN	-	RECTIFIED
1200x1200mm	POLISH	-	RECTIFIED
1200x2400mm	POLISH	-	RECTIFIED
1600x3200mm	POLISH	-	RECTIFIED





* Indent item - Subject to stock availability overseas, please allow 10-12 weeks lead time from date of order confirmation. Minimum quantity may apply

FORMATS



ST LAURENT

Grande Max

Technical Characteristics	Test Method	Requirement	Result
 Water Absorption	ISO 10545-3	3%	3%
 Breaking Strength	ISO 10545-4	1100	40 N/mm ²
 Frost Resistance	ISO 10545-12	Required	frost resistant
 Chemical Resistance	ISO 10545-13	Declared Value C	lass GA / GLA