

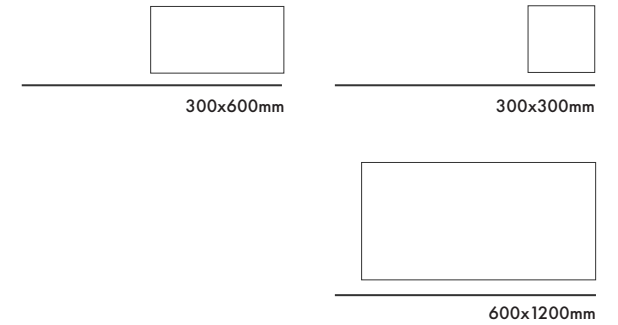
skheme®



core 2.0

core 2.0

Core 2.0 is utilised in a diverse range of residential and commercial projects where design integrity, performance, and versatility are essential. It embodies elegance with its subtle cement textures while maintaining the understated quality of a modern surface.



DIMENSIONS	300x300mm 300x600mm 600x1200mm	matt matt matt	all colours all colours pearl silver putty
MATERIAL	glazed porcelain		
VARIATION	V1		
TILE EDGE	rectified		
THICKNESS	tile		10mm
SLIP RATING	matt	P4	indoor

technical data

PROPERTIES	TEST METHOD	PRESCRIBED VALUES	VALUE
water absorption	ISO 10545-3	E<0.5%	0.07%
bending strength	ISO 10545-4	Minimum 35	65.9
breaking strength	ISO 10545-4	≥ 1300 N	3055
abrasion resistance	ISO 10545-7	Report abrasion class	class 4
resistance to chemicals	ISO 10545-13	Household chemicals & swimming pool salts	GA
		Low concentration of acids & alkalis	GLA
resistance to staining	ISO 10545-14	Minimum class 3	class 5



Please note that all products must be fabricated using score & snap method and/or wet cutting in conjunction with AS/NZS 1716:2012, AS/NZS 1715:2009, AS/NZS 60335.2.69:2017. For more information please refer to: <https://www.safework.nsw.gov.au>

Variation is an inherent property of tiles and stone. Sizes are nominal and may include a joint.

A 2/12-14 Neild Avenue Rushcutters Bay NSW 2010 | P 02 8755 2300 | W www.skheme.com | E info@skheme.com |