

Farrago



Made in Italy, FARRAGO is an agglomerate made of random mixtures of stone marble chips. It is a versatile product as it can be installed in large commercial projects or private residences. Featuring five colours and is available in both tile and slab formats

PRODUCT TYPE: Agglomerate marble

COLOURS: White, Calacatta Oro, Fior Di Pesco, Breccia Aurora, Perlato, Grigio Carnico, Rosso Asiago, Bottocino and Verde Alpi

SIZES: 600x600x12mm, 133x1200x18mm and 1240x3050x20mm Rectified edges

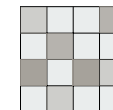
FINISHES/USAGE: Honed/Wall and Floor

AESTHETIC QUALITIES: Beautiful and colourful marble chips

TECHNICAL INFO: Use fast setting adhesive suitable for moisture sensitive stone such as Mapei Granirapid
Use stone sensitive grout and silicone.
Seal before and after grouting.
More information on last page.

ORIGIN: Italy

VARIATION:



V4

CERTIFICATIONS:



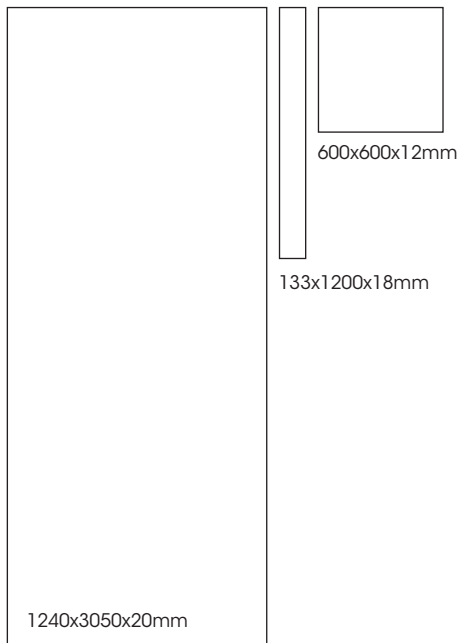
Farrago

PRODUCT SPECIFICATIONS

SIZES	FINISHES	TILE EDGE
600x600x12mm	HONED	RECTIFIED
133x1200x18mm	HONED PROFILE**	RECTIFIED
1240x3050x20mm	HONED SLAB	RECTIFIED

**Please note - Breccia Aurora is only stocked in 20mm slab format. Profile is only available in White.

FORMATS



WHITE PROFILE



PERLATO



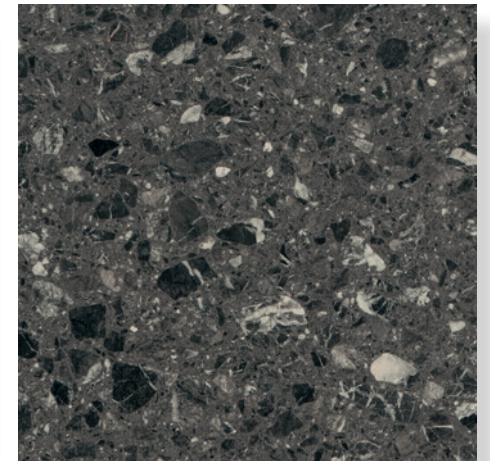
FIOR DI PESCO



CALACATTA ORO



BRECCIA AURORA **



GRIGIO CARNICO

Variation is an inherent property of tiles and stone. Sizes are nominal and may include a joint.

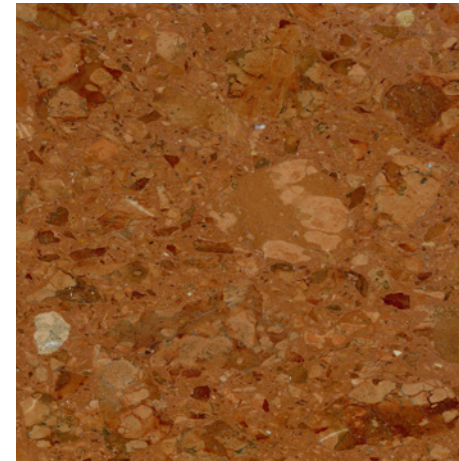
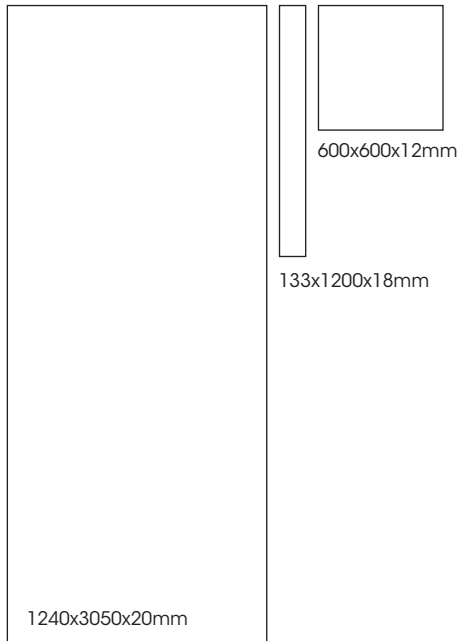
Farrago

PRODUCT SPECIFICATIONS

SIZES	FINISHES	TILE EDGE
600x600x12mm	HONED	RECTIFIED
133x1200x18mm	HONED PROFILE**	RECTIFIED
1240x3050x20mm	HONED SLAB	RECTIFIED

**Please note - Breccia Aurora is only stocked in 20mm slab format. Profile is only available in Calacatta.

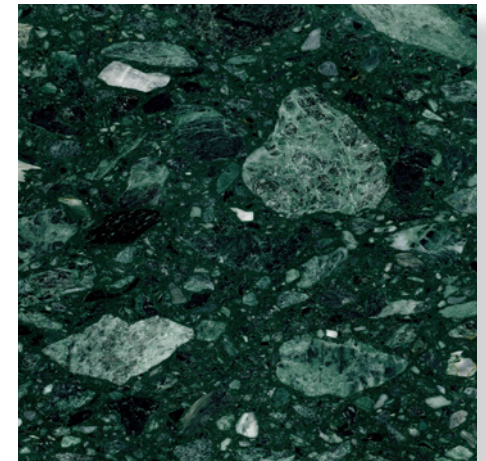
FORMATS



ROSSO ASIAGO



BOTTOCINO



VERDE ALPI

Variation is an inherent property of tiles and stone. Sizes are nominal and may include a joint.

Farrago

CALACATTA ORO HONED SLAB



Farrago

FIOR DI PESCO HONED SLAB



Farrago

BRECCIA AURORA HONED SLAB



Farrago

PERLATO HONED SLAB



Farrago

GRIGIO CARNICO HONED SLAB



Farrago

ROSSO ASIAGO HONED SLAB



Farrago

BOTTOCINO HONED SLAB



Farrago

VERDE ALPI HONED SLAB



TECHINCAL DATA

technical characteristics	test method	unit	result
Water absorption	EN - 14617/1	%w/w	< 0,35
Density	EN - 14617/1	Kg/dm ³	2,45 - 2,70
Flexural strength	EN - 14617/2	MPa	> 10
Compressive strength	EN - 14617/15	MPa	> 80
Abrasion resistance	EN - 14617/4	mm	31 - 39
Linear thermal expansion	EN - 14617/11	°C-1	12 -16 x 10 ⁻⁶
Dynamic coefficient of friction	ANSI A.137.1:2012	Honed 200	> 0.42
Dimensional stability	EN - 14617/12 (60 x 60 x 2)cm	Class	A
Freeze and thaw resistance	EN - 14617/5	-	Variable depending upon marble type
Reaction to fire	EN - 13501/1	-	A2 fl - S1

Farrago

CERTIFICATIONS



The GREENGUARD Environmental Institute is an industry-independent organisation with a mission to improve indoor air quality and reduce people's exposure to chemicals and other pollutants. As an ISO-IEC Guide 65:1996 accredited, third-party organization, the GREENGUARD Environmental Institute certifies products and materials for low chemical emissions and provides a resource for choosing healthier products and materials for indoor environments. Certified products must meet chemical emissions standards based on established criteria from key public health agencies.



LEED V4 (Leadership in Energy and Environmental Design) is an internationally recognized green building certification system, providing third-party verification that a building or community was designed and built using strategies aimed at improving performance across all the metrics that matter most: energy savings, water efficiency, CO2 emissions reduction, improved indoor environmental quality, and stewardship of resources and sensitivity to their impacts.



WELL Building Standard is a performance-based system that explores how design, operations and behaviors within the places where we live, work, learn and play can be optimized to advance human health and well-being as well as a flexible building standard and represents the future of design; It's the first rating system to focus exclusively on the impacts of buildings on human health and wellness.

Skheme Farrago Terrazzo is produced by industry leaders and technical innovators since 1965 representing a new trend of Terrazzo products with focus on high-performance, low maintenance surfaces.

By using Q Zero technology, the amalgamation of polyester resin with min 90% Marble produces a superior product containing 75% recycled content, low water absorption while maintaining excellent technical and aesthetic qualities.

Please note: Natural Stone aggregates bound by either epoxy or polyester resin with added UV absorbers and stabilizers requires wet fabrication.

- | | |
|-----------------------------|------------------------------------|
| • Auto ignition: | Combustibility extremely difficult |
| • Fire Spreading Rating: | 5 |
| • Smoke Development Rating: | 25 |
| • Flash Point: | 490°C |
| • Flammable Limits in Air: | N/A |
| • Extinguishing Media: | Water, Dry Chemical, CO2, Foam |